

# SHUNTS

## DERIVADORES DE CORRIENTE

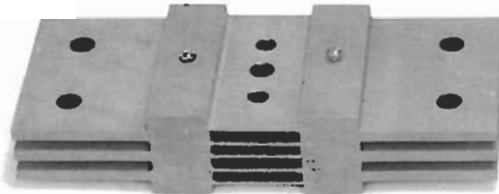
ACCURACY  $\pm 0.25\%$  (1/4%) / EXACTITUD  $\pm 0.25\%$  (1/4%)



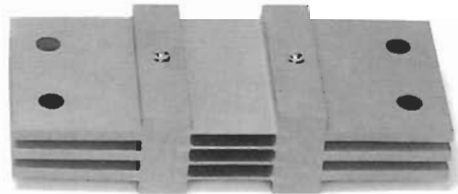
TYPE / MODELO FL



TYPE / MODELO FK



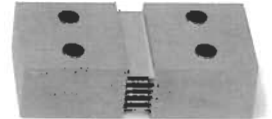
TYPE / MODELO FR



TYPE / MODELO FI



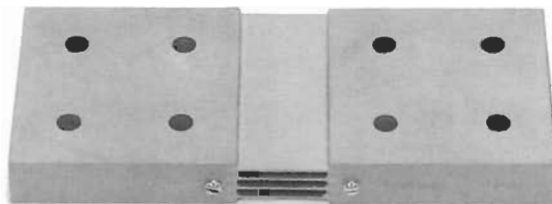
TYPE / MODELO FM



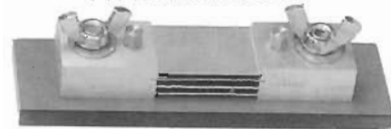
TYPE / MODELO FG



TYPE / MODELO FJ



TYPE / MODELO FO



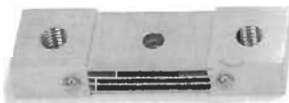
TYPE / MODELO FW



TYPE / MODELO FN



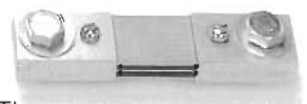
TYPE / MODELO FH



TYPE / MODELO FQ



TYPE / MODELO FP



TYPE / MODELO FE



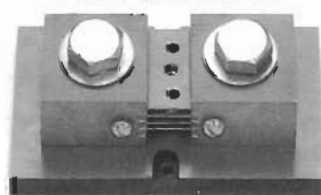
TYPE / MODELO RS



TYPE / MODELO TL



TYPE / MODELO TM



## General information:

Shunts are separately mounted units used for extending measurement of currents beyond the available limits of self contained DC ammeters.

The large capacity type switchboard shunt is designed for permanent installation in bus bar circuits.

The lower capacity type is readily mounted on insulated or non-insulated panels.

Where possible, all shunts should be mounted on the grounded side of the circuit. Panel mounted shunts with insulated bases must be mounted on the grounded side of circuits above 750 volts.

Crompton shunts are designed for use with standard 50 or 100 millivolt panel meters switchboard indicating or recording instruments, calibrated in terms of the ampere rating of the shunts. The millivolt drop of the shunt is adjusted at the factory to within:  $\pm 1/4\%$  accuracy (0.25%).

For continuous operation, it is recommended that shunts are not run at more than two thirds (2/3) the rated current under normal conditions of use as per AIEEE standards.

## Construction:

Terminal blocks on the 50 and 100 millivolt shunts rated below 750 Amperes are made of brass.

Shunts rated 750 Amperes and higher have terminal blocks constructed of large cross-sectional copper to allow adequate heat dissipation and provide sufficient rigidity to properly support the unit.

The resistance blades are made of manganin shunt strip, having a negligible temperature co-efficient and thermoelectric effect, therefore avoiding errors due to heating.

## Información General:

Los shunts son unidades montadas de forma separada para extender las aplicaciones de los amperímetros de corriente directa para la medición de corrientes que exceden los límites permisibles en las lecturas de los amperímetros autocontenidos.

Los shunts de alta capacidad fueron diseñados para su instalación permanente en circuitos de barras conductoras.

Mientras que los de baja capacidad, pueden ser instalados inmediatamente en tableros aislados o no.

Hasta donde sea posible, los shunts deberán ser montados en la parte aterrizada del circuito. Los shunts montados en tableros con bases aisladas en circuitos que lleven por arriba de 750 volts, deben ser instalados en la parte aterrizada del circuito.

Los shunts Crompton están diseñados para usarse con movimientos estándar de 50 y 100 milivolts, calibrados en base al rango de amperaje del shunt. La caída de voltaje del shunt, es ajustada en fábrica con una exactitud de  $\pm 1/4\%$  (0.25%).

Para uso continuo, se recomienda que los shunts no sean utilizados a más de dos tercios (2/3) de la corriente nominal que se utiliza en condiciones normales como lo indican las normas AIEEE.

## Construcción:

Los cuerpos de los shunts de 50 y 100 milivolts con rangos inferiores a 750 Amperes, están hechos de latón.

Los shunts con rangos de 750 Amperes hacia arriba, tienen cuerpos construidos de cobre con secciones cruzadas, lo cual permite una adecuada disipación de calor, así como rigidez para el soporte de la unidad.

Las hojas (láminas) de resistencia están hechas de manganina, por medio de la cual

Shunts may be connected (without error) in parallel, to measure heavy currents when each shunt has a separate pair of millivolt leads connected to the instrument terminals.

### Special applications:

Special shunts for applications other than standard 50 or 100 millivolt drop, can be engineered and fashioned for your particular needs.

A sketch of the required shunt showing its application is necessary to provide a prototype.

If you need special shunt leads, ask us for them, and we will adjust them for you.

obtenemos un coeficiente de temperatura y efecto termoeléctrico despreciable, con el fin de evitar errores producidos por el calentamiento.

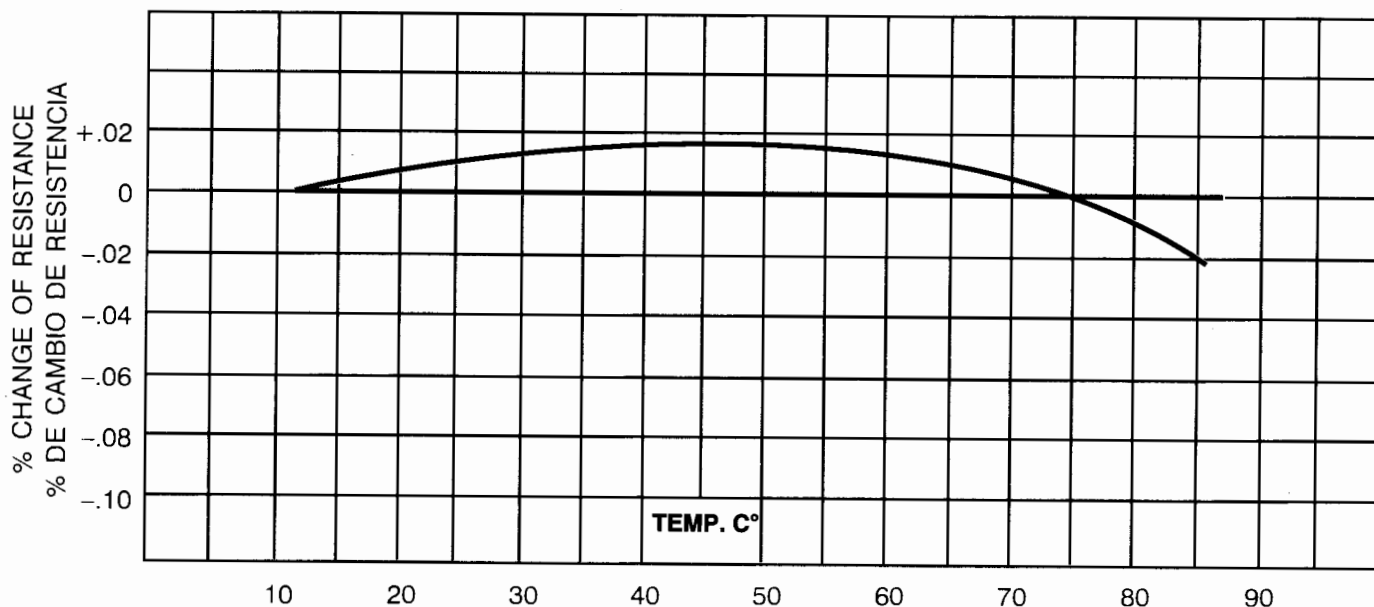
Los shunts deben ser conectados (sin excepción) en paralelo, para medir altas corrientes cuando cada shunt tiene de forma separada, un par de puntas conectadas a las terminales del instrumento.

### Aplicaciones espaciales:

Pregunte por shunts diferentes a los fabricados para 50 y 100 milivolts, para que sean diseñados por nuestro departamento de Ingeniería de manera que cumpla con sus requisitos.

Un boceto así como la aplicación del shunt deseado serán necesarios para la fabricación del shunt.

**CHARACTERISTICS OF MANGANIN SHUNT STRIP**  
**CARACTERISTICAS DE LA LAMINA DE MANGANINA**



Temperature coefficient of resistance.....± 0.000015 between 40-60°C

Coefficiente de resistencia por temperatura ± 0.000015 entre 40-60°C

# DC AMMETER SHUNTS



# DERIVADORES DE CORRIENTE (SHUNTS)

50mV MODEL / 10 THROUGH 1200 AMPERES / TYPE FG 10 a 1200 AMPERES / 50mV MODELO

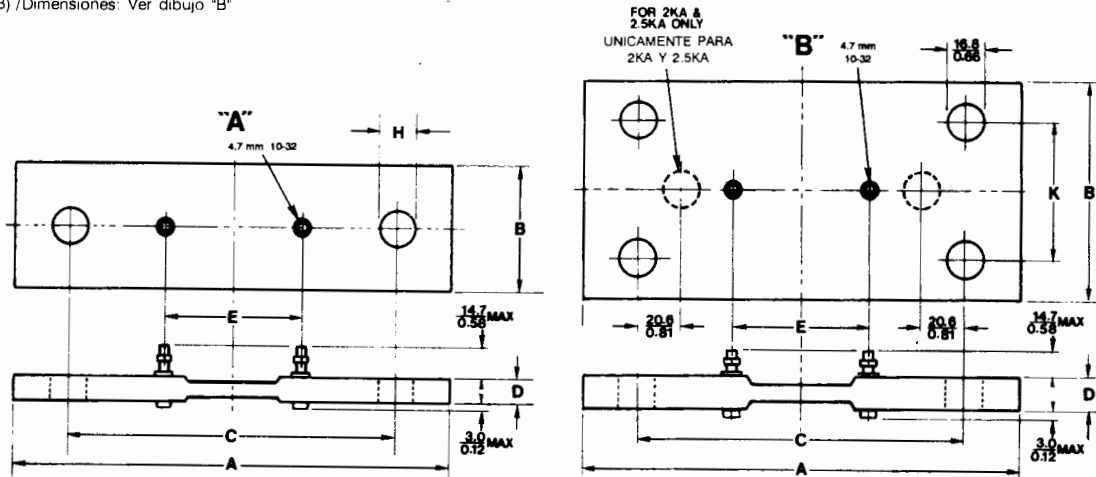
CATALOG No. No. CATALOGO	AMP	A		B		C		D		E		H	
		mm	in	mm	in	mm	in	mm	in	mm	in	mm	in
FG-10-50	10	151.9	5.98	11.4	0.45	114.3	4.5	3.0	0.12	63.5	2.5	7.1	0.28
FG-15-50	15	151.9	5.98	11.4	0.45	114.3	4.5	3.0	0.12	63.5	2.5	7.1	0.28
FG-20-50	20	151.9	5.98	15.0	0.59	114.3	4.5	4.8	0.19	63.5	2.5	7.1	0.28
FG-30-50	30	151.9	5.98	11.4	0.45	114.3	4.5	4.8	0.19	63.5	2.5	7.1	0.28
FG-40-50	40	151.9	5.98	15.0	0.59	114.3	4.5	4.8	0.19	63.5	2.5	7.1	0.28
FG-50-50	50	151.9	5.98	18.0	0.71	114.3	4.5	3.6	0.14	63.5	2.5	10.4	0.41
FG-60-50	60	151.9	5.98	21.6	0.85	114.3	4.5	3.6	0.14	63.5	2.5	10.4	0.41
FG-75-50	75	151.9	5.98	26.9	1.06	114.3	4.5	3.6	0.14	63.5	2.5	10.4	0.41
FG-80-50	80	151.9	5.98	28.7	1.13	114.3	4.5	3.6	0.14	63.5	2.5	10.4	0.41
FG-100-50	100	151.9	5.98	35.8	1.41	114.3	4.5	3.6	0.14	63.5	2.5	10.4	0.41
FG-150-50	150	151.9	5.98	26.9	1.06	114.3	4.5	4.8	0.19	63.5	2.5	13.5	0.53
FG-200-50	200	151.9	5.98	35.8	1.41	114.3	4.5	4.8	0.19	63.5	2.5	13.5	0.53
FG-250-50	250	151.9	5.98	45.0	1.77	114.3	4.5	7.4	0.29	63.5	2.5	13.5	0.53
FG-300-50	300	151.9	5.98	35.8	1.41	114.3	4.5	7.4	0.29	63.5	2.5	13.5	0.53
FG-400-50	400	151.9	5.98	45.0	1.77	114.3	4.5	8.6	0.34	63.5	2.5	13.5	0.53
FG-500-50	500	151.9	5.98	45.0	1.77	114.3	4.5	8.6	0.34	63.5	2.5	13.5	0.53
FG-600-50	600	202.7	7.98	54.4	2.14	152.4	6.0	8.6	0.34	63.5	2.5	16.8	0.66
FG-800-50	800	202.7	7.98	57.9	2.28	152.4	6.0	11.2	0.44	63.5	2.5	16.8	0.66
FG-1000-50	1000	202.7	7.98	71.9	2.83	152.4	6.0	11.2	0.44	63.5	2.5	16.8	0.66
FG-1200-50	1200	202.7	7.98	71.9	2.83	152.4	6.0	12.4	0.49	63.5	2.5	16.8	0.66

Dimensions: (Dwg. A)/Dimensiones: Ver dibujo "A"

50mV MODEL / 1500 THROUGH 2500 AMPERES / TYPE FG1500 a 2500 AMPERES / 50mV MODELO

CATALOG No. No. CATALOGO	AMP	A		B		C		D		E		K	
		mm	in	mm	in	mm	in	mm	in	mm	in	mm	in
FG-1500-50	1500	202.7	7.98	76.7	3.02	152.4	6	15.0	0.59	63.5	2.50	44.4	1.75
FG-2000-50	2000	202.7	7.98	102.6	4.04	152.4	6	15.0	0.59	63.5	2.50	63.5	2.50
FG-2500-50	2500	202.7	7.98	99.6	3.92	152.4	6	18.8	0.74	63.5	2.50	63.5	2.50

Dimensions: (Dwg. B)/Dimensiones: Ver dibujo "B"



100mV MODEL / 75 THROUGH 1200 AMPERES / TYPE FG 75 a 1200 AMPERES / 50mV MODELO

CATALOG No. No. CATALOGO	AMP	A		B		C		D		E		H	
		mm	in	mm	in	mm	in	mm	in	mm	in	mm	in
FG-75-100	75	202.7	7.98	26.9	1.06	165.1	6.5	3.6	0.14	114.3	4.5	10.4	0.41
FG-80-100	80	202.7	7.98	28.7	1.13	165.1	6.5	3.6	0.14	114.3	4.5	10.4	0.41
FG-100-100	100	202.7	7.98	35.8	1.41	165.1	6.5	3.6	0.14	114.3	4.5	10.4	0.41
FG-150-100	150	202.7	7.98	26.9	1.06	165.1	6.5	4.8	0.19	114.3	4.5	13.5	0.53
FG-200-100	200	202.7	7.98	35.8	1.41	165.1	6.5	4.8	0.19	114.3	4.5	13.5	0.53
FG-250-100	250	202.7	7.98	30.0	1.18	165.1	6.5	7.4	0.29	114.3	4.5	13.5	0.53
FG-300-100	300	202.7	7.98	35.8	1.41	165.1	6.5	7.4	0.29	114.3	4.5	13.5	0.53
FG-400-100	400	202.7	7.98	35.8	1.41	165.1	6.5	8.6	0.34	114.3	4.5	13.5	0.53
FG-500-100	500	202.7	7.98	45.0	1.77	165.1	6.5	8.6	0.34	114.3	4.5	13.5	0.53
FG-600-100	600	253.5	9.98	53.8	2.12	203.2	8.0	8.6	0.34	114.3	4.5	16.8	0.66
FG-800-100	800	253.5	9.98	57.4	2.26	203.2	8.0	11.2	0.44	114.3	4.5	16.8	0.66
FG-1000-100	1000	253.5	9.98	71.9	2.83	203.2	8.0	11.2	0.44	114.3	4.5	16.8	0.66
FG-1200-100	1200	253.5	9.98	71.9	2.83	203.2	8.0	12.4	0.49	114.3	4.5	16.8	0.66

Dimensions: (Dwg. A)/Dimensiones: Ver dibujo "A"

100mV MODEL / 1500 THROUGH 2000 AMPERES / TYPE FG 1500 a 2500 AMPERES / 50mV MODELO

CATALOG No. No. CATALOGO	AMP	A		B		C		D		E		K	
		mm	in	mm	in	mm	in	mm	in	mm	in	mm	in
FG-1500-100	1500	253.5	9.98	76.7	3.02	203.2	8.0	15.0	0.59	114.3	4.50	44.4	1.75
FG-2000-100	2000	253.5	9.98	102.6	4.04	203.2	8.0	15.0	0.59	114.3	4.50	63.5	2.50
FG-2500-100	2500	253.5	9.98	99.6	3.92	203.2	8.0	18.8	0.74	114.3	4.50	63.5	2.50

Dimensions: (Dwg. B)/Dimensiones: Ver dibujo "B"

Dimensions in mm (inches). Tolerances  $\pm 0.381$  mm (0.015 in) for hole diameters, other tolerances  $\pm 0.762$  mm (0.030 in) unless otherwise noted. Dimensions are subject to change without notice.

Las dimensiones están en milímetros (pulgadas) con tolerancia  $\pm 0.381$  mm (0.015 in) para los diámetros de los barrenos, para las demás medidas 0.762 mm (0.030 in) a menos de que se especifique otra.

Las dimensiones pueden variar sin previo aviso.

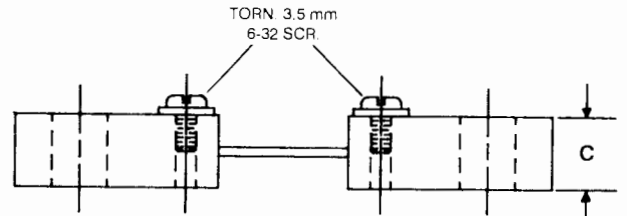
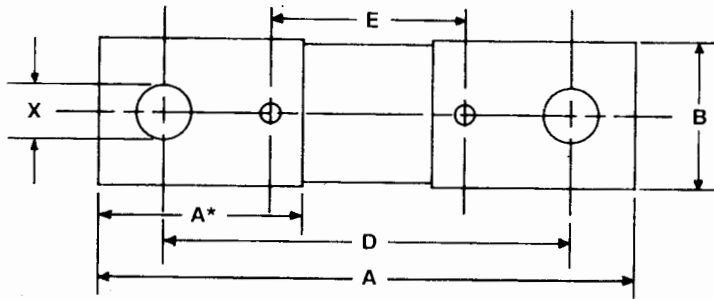
# DC AMMETER SHUNTS



# DERIVADORES DE CORRIENTE (SHUNTS)

## 50mV MODEL / TYPE FE 5 a 80 AMPERES / 5 THROUGH 80 AMPERES / 50mV MODELO

CATALOG No. No. CATALOGO	AMP	A		A*		B		C		D		E		X	
		mm	in	mm	in	mm	in	mm	in	mm	in	mm	in	mm	in
FE-5-50	5	79.38	3 1/8	28.58	1 1/8	12.7	1/2	6.35	1/4	63.5	2 1/2	31.75	1 1/4	6.75	17/64
FE-10-50	10	79.38	3 1/8	28.58	1 1/8	12.7	1/2	6.35	1/4	63.5	2 1/2	31.75	1 1/4	6.75	17/64
FE-15-50	15	79.38	3 1/8	28.58	1 1/8	12.7	1/2	6.35	1/4	63.5	2 1/2	31.75	1 1/4	6.75	17/64
FE-20-50	20	79.38	3 1/8	28.58	1 1/8	12.7	1/2	6.35	1/4	63.5	2 1/2	31.75	1 1/4	6.75	17/64
FE-25-50	25	79.38	3 1/8	28.58	1 1/8	12.7	1/2	6.35	1/4	63.5	2 1/2	31.75	1 1/4	6.75	17/64
FE-30-50	30	79.38	3 1/8	28.58	1 1/8	12.7	1/2	6.35	1/4	63.5	2 1/2	31.75	1 1/4	6.75	17/64
FE-32-50	32	79.38	3 1/8	28.58	1 1/8	12.7	1/2	6.35	1/4	63.5	2 1/2	31.75	1 1/4	6.75	17/64
FE-35-50	35	79.38	3 1/8	28.58	1 1/8	12.7	1/2	6.35	1/4	63.5	2 1/2	31.75	1 1/4	6.75	17/64
FE-40-50	40	79.38	3 1/8	28.58	1 1/8	12.7	1/2	6.35	1/4	63.5	2 1/2	31.75	1 1/4	6.75	17/64
FE-45-50	45	79.38	3 1/8	28.58	1 1/8	12.7	1/2	6.35	1/4	63.5	2 1/2	31.75	1 1/4	6.75	17/64
FE-50-50	50	79.38	3 1/8	28.58	1 1/8	12.7	1/2	6.35	1/4	63.5	2 1/2	31.75	1 1/4	6.75	17/64
FE-60-50	60	79.38	3 1/8	28.58	1 1/8	19.05	3/4	6.35	1/4	63.5	2 1/2	31.75	1 1/4	6.75	17/64
FE-64-50	64	79.38	3 1/8	28.58	1 1/8	19.05	3/4	6.35	1/4	63.5	2 1/2	31.75	1 1/4	6.75	17/64
FE-70-50	70	79.38	3 1/8	28.58	1 1/8	19.05	3/4	6.35	1/4	63.5	2 1/2	31.75	1 1/4	8.33	21/64
FE-75-50	75	79.38	3 1/8	28.58	1 1/8	19.05	3/4	6.35	1/4	63.5	2 1/2	31.75	1 1/4	8.33	21/64
FE-80-50	80	79.38	3 1/8	28.58	1 1/8	19.05	3/4	6.35	1/4	63.5	2 1/2	31.75	1 1/4	8.33	21/64



## 50mV MODEL / TYPE FE 100 a 200 AMPERES / 100 THROUGH 200 AMPERES / 50mV MODELO

CATALOG No. No. CATALOGO	AMP	A		A*		B		C		D		E		X	
		mm	in	mm	in	mm	in	mm	in	mm	in	mm	in	mm	in
FE-100-50	100	92.08	3 1/8	32.54	1 9/32	25.4	1	9.53	3/8	69.85	2 3/4	34.93	1 3/8	8.33	21/64
FE-120-50	120	92.08	3 1/8	34.93	1 3/8	25.4	1	9.53	3/8	69.85	2 3/4	34.93	1 3/8	8.33	21/64
FE-125-50	125	92.08	3 1/8	34.93	1 3/8	25.4	1	9.53	3/8	69.85	2 3/4	34.93	1 3/8	8.33	21/64
FE-150-50	150	92.08	3 1/8	34.93	1 3/8	25.4	1	12.7	1/2	69.85	2 3/4	31.75	1 1/4	9.53	3/8
FE-160-50	160	92.08	3 1/8	34.93	1 3/8	25.4	1	12.7	1/2	69.85	2 3/4	31.75	1 1/4	9.53	3/8
FE-175-50	175	104.78	4 1/8	41.28	1 5/8	25.4	1	12.7	1/2	73.03	2 7/8	31.75	1 1/4	11.51	29/64
FE-200-50	200	95.25	3 3/4	34.93	1 3/8	25.4	1	12.7	1/2	73.03	2 7/8	31.75	1 1/4	11.51	29/64

- A: Over all length (Brass)
- A\*: Length of brass piece
- B: Width of brass piece
- C: Thickness of brass piece
- D: Distance apart Current and mounting bolts
- E: Distance apart Potential connection
- X: Size Current and mounting bolt holes

- A: Largo total
- A\*: Largo de la pieza de latón
- B: Ancho del latón
- C: Altura del latón
- D: Distancia entre los barrenos
- E: Distancia entre los puntos de conexión
- X: Diámetro de los barrenos

Dimensions in mm (inches). Tolerances  $\pm 0.381$  mm (0.015in) for hole diameters, other tolerances  $\pm 0.762$  mm (0.030in) unless otherwise noted. Dimensions are subject to change without notice.

Las dimensiones están en milímetros (pulgadas) con tolerancia  $\pm 0.381$  mm (0.015 in) para los diámetros de los barrenos, para las demás medidas 0.762 mm (0.030 in) a menos de que se especifique otra. Las dimensiones pueden variar sin previo aviso.

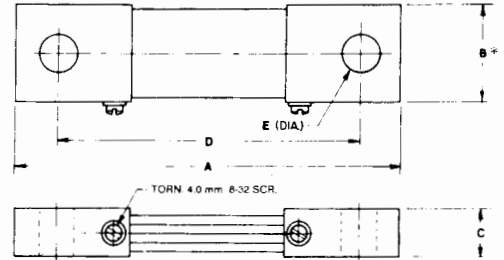
# DC AMMETER SHUNTS



# DERIVADORES DE CORRIENTE (SHUNTS)

50 mV MODEL / 15 THROUGH 600 AMPERES / TYPE FH 15 a 600 AMPERES / 50mV MODEL)

CATALOG No. No. CATALOGO	AMP	A		B		C		D		E	
		mm	in	mm	in	mm	in	mm	in	mm	in
FH-15-50	15	104.78	4 1/8	15.88	5/8	9.53	3/8	84.14	3 5/16	8.73	11/32
FH-20-50	20	104.78	4 1/8	15.88	5/8	9.53	3/8	84.14	3 5/16	8.73	11/32
FH-50-50	50	104.78	4 1/8	15.88	5/8	9.53	3/8	84.14	3 5/16	8.73	11/32
FH-75-50	75	104.78	4 1/8	15.88	5/8	9.53	3/8	84.14	3 5/16	8.73	11/32
FH-100-50	100	104.78	4 1/8	15.88	5/8	9.53	3/8	84.14	3 5/16	8.73	11/32
FH-125-50	125	104.78	4 1/8	20.64	13/16	9.53	3/8	84.14	3 5/16	8.73	11/32
FH-150-50	150	104.78	4 1/8	23.81	15/16	9.53	3/8	84.14	3 5/16	8.73	11/32
FH-175-50	175	104.78	4 1/8	19.05	3/4	12.7	1/2	84.14	3 5/16	8.73	11/32
FH-200-50	200	104.78	4 1/8	20.64	13/16	12.7	1/2	84.14	3 5/16	8.73	11/32
FH-250-50	250	104.78	4 1/8	26.99	1 1/16	12.7	1/2	84.14	3 5/16	8.73	11/32
FH-300-50	300	104.78	4 1/8	31.75	1 1/4	12.7	1/2	84.14	3 5/16	8.73	11/32
FH-375-50	375	117.48	4 5/8	23.81	15/16	19.05	3/4	92.08	3 5/8	10.32	13/32
FH-400-50	400	117.48	4 5/8	25.4	1	19.05	3/4	92.08	3 5/8	10.32	13/32
FH-500-50	500	117.48	4 5/8	31.75	1 1/4	19.05	3/4	92.08	3 5/8	10.32	13/32
FH-600-50	600	117.48	4 5/8	38.1	1 1/2	19.05	3/4	92.08	3 5/8	10.32	13/32



100 mV MODEL / 50 THROUGH 600 AMPERES / TYPE FH 50 a 600 AMPERES

FH-50-100	50	146	5 3/4	15.9	5/8	9.53	3/8	88.9	3 1/2	8.73	11/32
FH-75-100	75	146	5 3/4	15.9	5/8	9.53	3/8	88.9	3 1/2	8.73	11/32
FH-100-100	100	146	5 3/4	15.9	5/8	9.53	3/8	88.9	3 1/2	8.73	11/32
FH-150-100	150	146	5 3/4	23.8	15/16	12.7	1/2	88.9	3 1/2	8.73	11/32
FH-200-100	200	146	5 3/4	20.6	13/16	12.7	1/2	88.9	3 1/2	10.32	13/32
FH-250-100	250	146	5 3/4	27	1 1/16	12.7	1/2	88.9	3 1/2	10.32	13/32
FH-300-100	300	146	5 3/4	31.75	1 1/4	12.7	1/2	88.9	3 1/2	10.32	13/32
FH-375-100	375	158.8	6 1/4	23.8	15/16	19.05	3/4	88.9	3 1/2	10.32	13/32
FH-400-100	400	158.8	6 1/4	25.4	1	19.05	3/4	88.9	3 1/2	10.32	13/32
FH-500-100	500	158.8	6 1/4	31.75	1 1/4	19.05	3/4	88.9	3 1/2	10.32	13/32
FH-600-100	600	158.8	6 1/4	38.1	1 1/2	19.05	3/4	88.9	3 1/2	10.32	13/32

50 mV MODEL / 300 THROUGH 1200 AMPERES / TYPE FI 300 a 1200 AMPERES / 50 mV MODELO

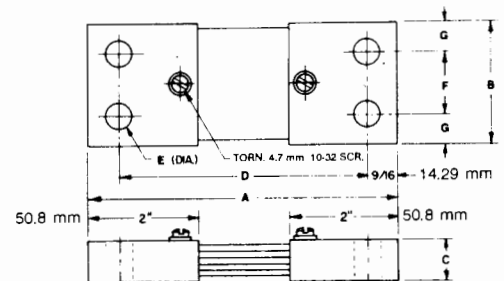
CATALOG No. No. CATALOGO	AMP	A		B		C		D		E		F		G	
		mm	in	mm	in	mm	in	mm	in	mm	in	mm	in	mm	in
FI-300-50	300	149.23	5 7/8	44.45	1 3/4	12.7	1/2	120.65	4 3/4	11.12	7/16	25.4	1	9.53	3/8
FI-400-50	400	149.23	5 7/8	50.8	2	19.05	3/4	120.65	4 3/4	11.12	7/16	31.75	1 1/4	9.53	3/8
FI-500-50	500	149.23	5 7/8	50.8	2	19.05	3/4	120.65	4 3/4	11.12	7/16	31.75	1 1/4	9.53	3/8
FI-600-50	600	149.23	5 7/8	50.8	2	19.05	3/4	120.65	4 3/4	11.12	7/16	31.75	1 1/4	9.53	3/8
FI-750-50	750	149.23	5 7/8	57.15	2 1/4	19.05	3/4	120.65	4 3/4	11.12	7/16	38.1	1 1/2	9.53	3/8
FI-800-50	800	149.23	5 7/8	60.33	2 3/8	19.05	3/4	120.65	4 3/4	11.12	7/16	38.1	1 1/2	11.12	7/16
FI-1000-50	1000	149.23	5 7/8	63.5	2 1/2	25.4	1	120.65	4 3/4	11.12	7/16	38.1	1 1/2	12.7	1/2
FI-1200-50	1200	149.23	5 7/8	73.03	2 7/8	25.4	1	120.65	4 3/4	11.12	7/16	38.1	1 1/2	17.46	11/16

100 mV MODEL / 300 THROUGH 1200 AMPERES / TYPE FI 300 a 1200 AMPERES / 100 mV MODELO

FI-300-100	300	196.8	7 3/4	44.45	1 3/4	12.7	1/2	168.3	6 5/8	11.11	7/16	25.4	1	9.53	3/8
FI-400-100	400	196.8	7 3/4	50.8	2	19.05	3/4	168.3	6 5/8	11.11	7/16	31.75	1 1/4	9.53	3/8
FI-500-100	500	196.8	7 3/4	50.8	2	19.05	3/4	168.3	6 5/8	11.11	7/16	31.75	1 1/4	9.53	3/8
FI-600-100	600	196.8	7 3/4	50.8	2	19.05	3/4	168.3	6 5/8	11.11	7/16	31.75	1 1/4	9.53	3/8
FI-750-100	750	196.8	7 3/4	57.15	2 1/4	19.05	3/4	168.3	6 5/8	11.11	7/16	38.1	1 1/2	9.53	3/8
FI-800-100	800	196.8	7 3/4	60.33	2 3/8	19.05	3/4	168.3	6 5/8	11.11	7/16	38.1	1 1/2	11.12	7/16
FI-1000-100	1000	196.8	7 3/4	63.5	2 1/2	25.4	1	168.3	6 5/8	11.11	7/16	38.1	1 1/2	12.7	1/2
FI-1200-100	1200	196.8	7 3/4	73	2 7/8	25.4	1	168.3	6 5/8	11.11	7/16	38.1	1 1/2	17.46	11/16

Dimensions in mm (inches). Tolerances  $\pm 0.381$  mm (0.015 in) for hole diameters, other tolerances  $\pm 0.762$  mm (0.030 in) unless otherwise noted. Dimensions are subject to change without notice.

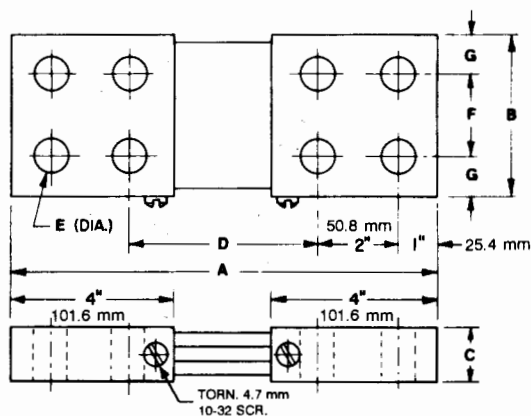
Las dimensiones están en milímetros (pulgadas) con tolerancia  $\pm 0.381$  mm (0.015 in) para los diámetros de los barrenos, para las demás medidas 0.762 mm (0.030 in) a menos de que se especifique otra. Las dimensiones pueden variar sin previo aviso.



# DC AMMETER SHUNTS



# DERIVADORES DE CORRIENTE (SHUNTS)



50 mV MODEL / 1500 THROUGH 2000 AMPERES / TYPE FJ 1500 a 2000 AMPERES / 50 mV MODELO

CATALOG No. No. CATALOGO	AMP	A		B		C		D		E		F		G	
		mm	in	mm	in	mm	in	mm	in	mm	in	mm	in	mm	in
FJ-1500-50	1500	244.48	9 5/8	76.2	3	25.4	1	92.08	3 5/8	11.11	7/16	50.8	2	12.7	1/2
FJ-2000-50	2000	244.48	9 5/8	101.6	4	25.4	1	92.08	3 5/8	11.11	7/16	50.8	2	25.4	1

100 mV MODEL / 1500 THROUGH 2000 AMPERES / TYPE FJ 1500 a 2000 AMPERES / 100 mV MODELO

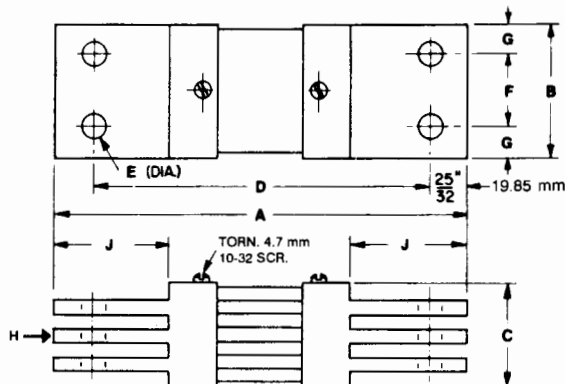
FJ-1500-100	1500	285.75	11 1/4	76.2	3	25.4	1	133.35	5 1/4	11.11	7/16	50.8	2	12.7	1/2
FJ-2000-100	2000	285.75	11 1/4	101.6	4	25.4	1	133.35	5 1/4	11.11	7/16	50.8	2	25.4	1

50 mV MODEL / 1000 THROUGH 2000 AMPERES / TYPE FK 1000 a 2000 AMPERES / 50 mV MODELO

CATALOG No. No. CATALOGO	AMP	A		B		C		D		E		F		G		H	J	
		mm	in	mm	in	mm	in	mm	in	mm	in	mm	in	mm	in		mm	in
FK-1000-50	1000	230.19	9 1/16	66.68	2 5/8	38.1	1 1/2	190.5	7 1/2	13.49	17/32	38.1	1 1/2	14.29	9/16	2	66.68	2 5/8
FK-1200-50	1200	230.19	9 1/16	76.2	3	38.1	1 1/2	190.5	7 1/2	13.49	17/32	38.1	1 1/2	19.05	3/4	2	66.68	2 5/8
FK-1500-50	1500	230.19	9 1/16	76.2	3	38.1	1 1/2	190.5	7 1/2	13.49	17/32	38.1	1 1/2	19.05	3/4	2	66.68	2 5/8
FK-2000-50	2000	230.19	9 1/16	82.55	3 1/4	50.8	2	190.5	7 1/2	13.49	17/32	50.8	2	15.88	5/8	3	66.68	2 5/8

100 mV MODEL / 1000 THROUGH 2000 AMPERES / TYPE FK 1000 a 2000 AMPERES / 100 mV MODELO

FK-1000-100	1000	276.2	10 7/8	66.68	2 5/8	38.1	1 1/2	252.4	9 15/16	13.49	17/32	38.1	1 1/2	14.29	9/16	2	66.68	2 5/8
FK-1200-100	1200	276.2	10 7/8	76.2	3	38.1	1 1/2	252.4	9 15/16	13.49	17/32	38.1	1 1/2	19.05	3/4	2	66.68	2 5/8
FK-1500-100	1500	276.2	10 7/8	76.2	3	38.1	1 1/2	252.4	9 15/16	13.49	17/32	38.1	1 1/2	19.05	3/4	2	66.68	2 5/8
FK-2000-100	2000	276.2	10 7/8	82.55	3 1/4	50.8	2	252.4	9 15/16	13.49	17/32	50.8	2	15.88	5/8	3	66.68	2 5/8

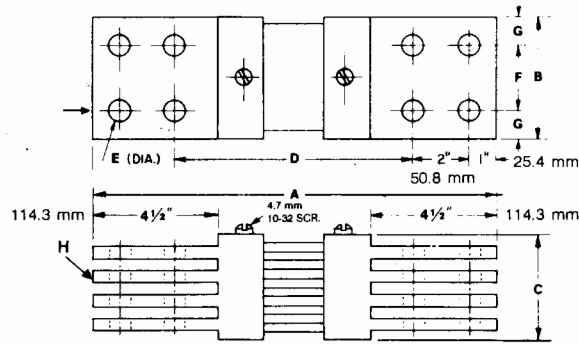


H Number of copper blades at each end.  
6.35 mm (1/4") thick, 6.35 mm (1/4") Apart.

H Número de disipadores de cobre en cada cuerpo.  
6.35 mm (1/4)" de espesor, 6.35 mm (1/4)" de separación.

Dimensions in mm (inches). Tolerances  $\pm 0.381$  mm (0.015 in) for hole diameters, other tolerances  $\pm 0.762$  mm (0.030 in) unless otherwise noted. Dimensions are subject to change without notice.

Las dimensiones están en milímetros (pulgadas) con tolerancia  $\pm 0.381$  mm (0.015 in) para los diámetros de los barrenos, para las demás medidas 0.762 mm (0.030 in) a menos de que se especifique otra. Las dimensiones pueden variar sin previo aviso.



50 mV MODEL / 2500 THROUGH 10,000 AMPERES / TYPE FL 2500 a 10,000 AMPERES / 50 mV MODELO

CATALOG No. No. CATALOGO	AMP	A		B		C		D		E		F		G		H
		mm	in	mm	in	mm	in	mm	in	mm	in	mm	in	mm	in	
FL-2500-50	2500	320.68	125/8	101.6	4	38.1	1 1/2	168.28	65/8	11.11	7/16	50.8	2	25.4	1	2
FL-3000-50	3000	320.68	125/8	101.6	4	50.8	2	168.28	65/8	11.11	7/16	50.8	2	25.4	1	3
FL-4000-50	4000	320.68	125/8	101.6	4	76.2	3	168.28	65/8	11.11	7/16	50.8	2	25.4	1	4
FL-4500-50	4500	320.68	125/8	101.6	4	76.2	3	168.28	65/8	11.11	7/16	50.8	2	25.4	1	4
FL-5000-50	5000	320.68	125/8	101.6	4	76.2	3	168.28	65/8	11.11	7/16	50.8	2	25.4	1	4
FL-6000-50	6000	320.68	125/8	101.6	4	101.6	4	168.28	65/8	14.29	9/16	50.8	2	25.4	1	5
FL-7000-50	7000	320.68	125/8	127	5	101.6	4	168.28	65/8	14.29	9/16	63.5	2 1/2	31.75	1 1/4	5
FL-7500-50	7500	320.68	125/8	127	5	101.6	4	168.28	65/8	14.29	9/16	63.5	2 1/2	31.75	1 1/4	6
FL-8000-50	8000	320.68	125/8	127	5	101.6	4	168.28	65/8	14.29	9/16	63.5	2 1/2	31.75	1 1/4	6
FL-9000-50	9000	320.68	125/8	127	5	101.6	4	168.28	65/8	14.29	9/16	63.5	2 1/2	31.75	1 1/4	6
FL-10,000-50	10,000	320.68	125/8	127	5	127	5	168.28	65/8	14.29	9/16	63.5	2 1/2	31.75	1 1/4	7

100 mV MODEL / 2500 THROUGH 10,000 AMPERES / TYPE FL 2500 a 10,000 AMPERES / 100 mV MODELO

FL-2500-100	2500	361.95	14 1/4	101.6	4	38.1	1 1/2	209.55	8 1/4	11.11	7/16	50.8	2	25.4	1	2
FL-3000-100	3000	361.95	14 1/4	101.6	4	50.8	2	209.55	8 1/4	11.11	7/16	50.8	2	25.4	1	3
FL-4000-100	4000	361.95	14 1/4	101.6	4	76.2	3	209.55	8 1/4	11.11	7/16	50.8	2	25.4	1	4
FL-4500-100	4500	361.95	14 1/4	101.6	4	76.2	3	209.55	8 1/4	11.11	7/16	50.8	2	25.4	1	4
FL-5000-100	5000	361.95	14 1/4	101.6	4	76.2	3	209.55	8 1/4	11.11	7/16	50.8	2	25.4	1	4
FL-6000-100	6000	361.95	14 1/4	101.6	4	101.6	4	209.55	8 1/4	14.29	9/16	50.8	2	25.4	1	5
FL-7000-100	7000	361.95	14 1/4	127	5	101.6	4	209.55	8 1/4	14.29	9/16	63.5	2 1/2	31.75	1 1/4	5
FL-7500-100	7500	361.95	14 1/4	127	5	101.6	4	209.55	8 1/4	14.29	9/16	63.5	2 1/2	31.75	1 1/4	6
FL-8000-100	8000	361.95	14 1/4	127	5	101.6	4	209.55	8 1/4	14.29	9/16	63.5	2 1/2	31.75	1 1/4	6
FL-9000-100	9000	361.95	14 1/4	127	5	101.6	4	209.55	8 1/4	14.29	9/16	63.5	2 1/2	31.75	1 1/4	6
FL-10000-100	10,000	361.95	14 1/4	127	5	127	5	209.55	8 1/4	14.29	9/16	63.5	2 1/2	31.75	1 1/4	7

50 mV MODEL / OVER 10,000 AMPERES / TYPE FL ARRIBA DE 10,000 AMPERES / 50 mV MODELO

CATALOG No. No. CATALOGO	AMP	A		B		C		D		F	H*	J		
		mm	in	mm	in	mm	in	mm	in	mm	in	mm	in	
FL-12000-50	12000	320.68	125/8	133.35	5 1/4	152.4	6	168.28	65/8	**	9	114.3	4 1/2	
FL-15000-50	15000	330.20	13	203.2	8	152.4	6	177.8	7	50.8	2	9	114.3	4 1/2
FL-18000-50	18000	330.20	13	203.2	8	152.4	6	177.8	7	50.8	2	10	114.3	4 1/2
FL-20,000-50	20,000	330.20	13	203.2	8	177.8	7	177.8	7	50.8	2	10	116.68	4 19/32
FL-25,000-50	25,000	330.20	13	203.2	8	254	10	177.8	7	50.8	2	18	116.68	4 19/32
FL-30,000-50	30,000	398.46	15 11/16	203.2	8	304.8	12	246.06	9 11/16	50.8	2	22	138.11	5 7/16

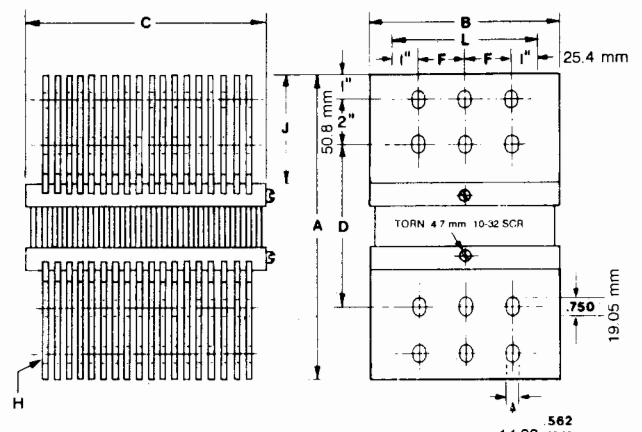
\* 9.53 mm (3/8") or 12.7 mm (1/2") terminal blades available  
Los disipadores están disponibles en 9.53 mm (3/8") o de 12.7 mm (1/2") de pulgada

\*\* Four elongated holes at each end, 50.8 mm (2") on center 14.28 mm (0.562 in) x 19.5 mm (0.750 in).  
Cuatro barrenos alargados en cada orilla, 50.8 mm (2") al centro 14.28 mm (0.562 in) x 19.5 mm (0.750 in).

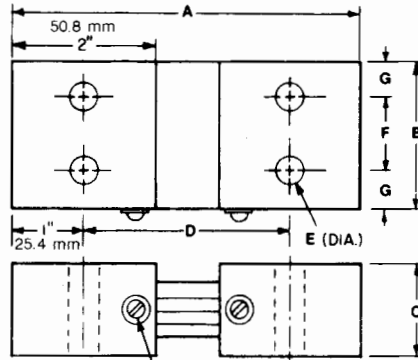
H Number of copper blades at each end.  
6.35 mm (1/4") thick, 6.35 mm (1/4") Apart.  
H Número de disipadores de cobre en cada cuerpo.  
6.35 mm (1/4") de espesor, 6.35 mm (1/4") de separación.

Dimensions in mm (inches). Tolerances ± 0.381 mm (0.015 in) for hole diameters, other tolerances ± 0.762 mm (0.030 in) unless otherwise noted.  
Dimensiones en milímetros (pulgadas) con tolerancia ± 0.381 mm (0.015 in) para los diámetros de los barrenos, para las demás medidas 0.762 mm (0.030 in) a menos de que se especifique otra.

Las dimensiones están en milímetros (pulgadas) con tolerancia ± 0.381 mm (0.015 in) para los diámetros de los barrenos, para las demás medidas 0.762 mm (0.030 in) a menos de que se especifique otra.  
Las dimensiones pueden variar sin previo aviso.







TORN. 4.7 mm 10-32 SCR.

50mV MODEL / 1000 THROUGH 3000 AMPERES / TYPE FM 1000 a 3000 AMPERES / 50mV MODELO

CATALOG No. No. CATALOGO	AMP	A		B		C		D		E		F		G	
		mm	in	mm	in	mm	in	mm	in	mm	in	mm	in	mm	in
FM-1000-50	1000	127	5	50.8	2	31.75	1 1/4	76.2	3	10.32	13/32	25.4	1	12.7	1/2
FM-1200-50	1200	127	5	50.8	2	31.75	1 1/4	76.2	3	10.32	13/32	25.4	1	12.7	1/2
FM-1500-50	1500	123.83	4 7/8	50.8	2	31.75	1 1/4	73.03	2 7/8	10.32	13/32	25.4	1	12.7	1/2
FM-2000-50	2000	120.65	4 3/4	50.8	2	31.75	1 1/4	69.85	2 3/4	10.32	13/32	25.4	1	12.7	1/2
FM-2500-50	2500	117.48	4 5/8	50.8	2	31.75	1 1/4	66.68	2 5/8	10.32	13/32	25.4	1	12.7	1/2
FM-3000-50	3000	114.3	4 1/2	50.8	2	31.75	1 1/4	63.5	2 1/2	10.32	13/32	25.4	1	12.7	1/2

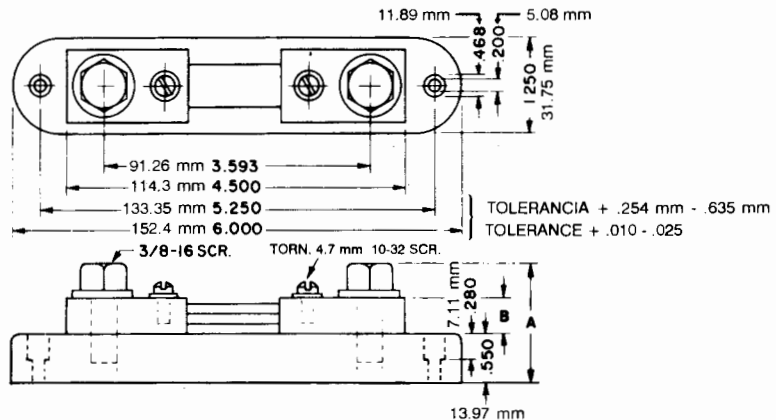
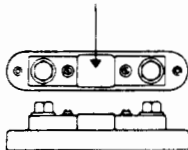
1 THROUGH 500 AMPERES / 50mV MODEL  
50mV TYPE FN 1 a 500 AMPERES

CATALOG No. No. CATALOGO	AMP	A		B	
		mm	in	mm	in
FN-1-50*	1	35.05	1.38	12.7	1/2
FN-2-50*	2	35.05	1.38	12.7	1/2
FN-5-50*	5	35.05	1.38	12.7	1/2
FN-10-50*	10	35.05	1.38	12.7	1/2
FN-20-50	20	35.05	1.38	12.7	1/2
FN-50-50	50	35.05	1.38	12.7	1/2
FN-100-50	100	35.05	1.38	12.7	1/2
FN-150-50	150	35.05	1.38	12.7	1/2
FN-200-50	200	35.05	1.38	12.7	1/2
FN-250-50	250	41.40	1.63	19.05	3/4
FN-300-50	300	41.40	1.63	19.05	3/4
FN-400-50	400	41.40	1.63	19.05	3/4
FN-500-50	500	41.40	1.63	19.05	3/4

1 THROUGH 500 AMPERES / 100mV MODEL  
100mV TYPE FN 1 a 500 AMPERES

CATALOG No. No. CATALOGO	AMP	A		B	
		mm	in	mm	in
FN-1-100	1	35.05	1.38	12.7	1/2
FN-2-100	2	35.05	1.38	12.7	1/2
FN-5-100	5	35.05	1.38	12.7	1/2
FN-10-100	10	35.05	1.38	12.7	1/2
FN-15-100	15	35.05	1.38	12.7	1/2
FN-20-100	20	35.05	1.38	12.7	1/2
FN-25-100	25	35.05	1.38	12.7	1/2
FN-50-100	50	35.05	1.38	12.7	1/2
FN-75-100	75	35.05	1.38	12.7	1/2
FN-100-100	100	35.05	1.38	12.7	1/2
FN-200-100	200	35.05	1.38	12.7	1/2
FN-300-100	300	41.40	1.63	19.05	3/4
FN-500-100	500	41.40	1.63	19.05	3/4

- \* Low amperage models are furnished with protective covers.
- \* Los modelos de bajo amperaje incluyen cubierta protectora.

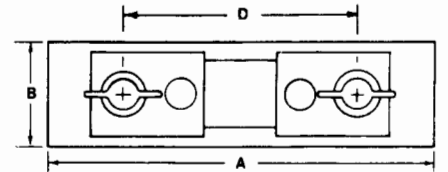


Dimensions in mm (inches). Tolerances  $\pm 0.381$  mm (0.015 in) for hole diameters, other tolerances  $\pm 0.762$  mm (0.030 in) unless otherwise noted. Dimensions are subject to change without notice.

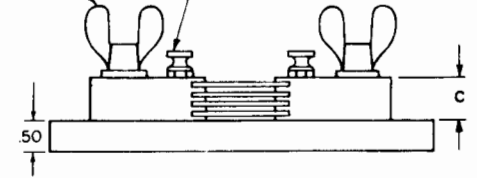
Las dimensiones están en milímetros (pulgadas) con tolerancia  $\pm 0.381$  mm (0.015 in) para los diámetros de los barrenos, para las demás medidas 0.762 mm (0.030 in) a menos de que se especifique otra. Las dimensiones pueden variar sin previo aviso.

## 50mV MODEL / 10 THROUGH 1000 AMPERES / TYPE F0 10 a 1000 AMPERES

CATALOG No. No. CATALOGO	AMP	A		B		C		D		E	
		mm	in	mm	in	mm	in	mm	in	mm	in
FO-10-50	10	127	5	31.75	1 1/4	12.7	1/2	88.9	3 1/2	6.35-20	1/4-20
FO-15-50	15	127	5	31.75	1 1/4	12.7	1/2	88.9	3 1/2	6.35-20	1/4-20
FO-25-50	25	127	5	31.75	1 1/4	12.7	1/2	88.9	3 1/2	6.35-20	1/4-20
FO-50-50	50	127	5	31.75	1 1/4	12.7	1/2	88.9	3 1/2	6.35-20	1/4-20
FO-100-50	100	127	5	31.75	1 1/4	12.7	1/2	88.9	3 1/2	6.35-20	1/4-20
FO-150-50	150	127	5	31.75	1 1/4	12.7	1/2	88.9	3 1/2	6.35-20	1/4-20
FO-200-50	200	127	5	31.75	1 1/4	12.7	1/2	88.9	3 1/2	6.35-20	1/4-20
FO-250-50	250	171.45	6 3/4	47.62	1 7/8	19.05	3/4	104.78	4 1/8	9.53-16	3/8-16
FO-300-50	300	171.45	6 3/4	47.62	1 7/8	19.05	3/4	104.78	4 1/8	9.53-16	3/8-16
FO-400-50	400	171.45	6 3/4	47.62	1 7/8	19.05	3/4	104.78	4 1/8	9.53-16	3/8-16
FO-500-50	500	171.45	6 3/4	47.62	1 7/8	19.05	3/4	104.78	4 1/8	9.53-16	3/8-16
FO-600-50	600	171.45	6 3/4	60.33	2 3/8	25.4	1	104.78	4 1/8	9.53-16	3/8-16
FO-750-50	750	171.45	6 3/4	60.33	2 3/8	25.4	1	104.78	4 1/8	9.53-16	3/8-16
FO-1000-50	1000	171.45	6 3/4	60.33	2 3/8	25.4	1	104.78	4 1/8	9.53-16	3/8-16



TORNILLO TIPO MARIPOSA  
E WING SCREW  
TORNILLO CON CABEZA MOLETEADA  
KNURLED METER LEAD TERMINALS

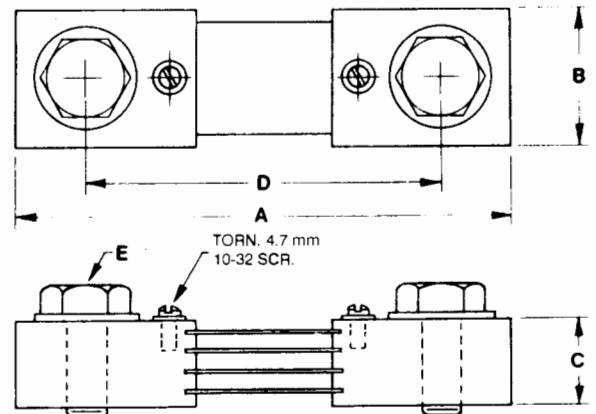


## 100mV MODEL / 10 THROUGH 1000 AMPERES / TYPE F0 10 a 1000 AMPERES

FO-10-100	10	158.75	6 1/4	31.75	1 1/4	12.7	1/2	120.65	4 3/4	6.35-20	1/4-20
FO-15-100	15	158.75	6 1/4	31.75	1 1/4	12.7	1/2	120.65	4 3/4	6.35-20	1/4-20
FO-25-100	25	158.75	6 1/4	31.75	1 1/4	12.7	1/2	120.65	4 3/4	6.35-20	1/4-20
FO-50-100	50	158.75	6 1/4	31.75	1 1/4	12.7	1/2	120.65	4 3/4	6.35-20	1/4-20
FO-100-100	100	158.75	6 1/4	31.75	1 1/4	12.7	1/2	120.65	4 3/4	6.35-20	1/4-20
FO-150-100	150	158.75	6 1/4	31.75	1 1/4	12.7	1/2	120.65	4 3/4	6.35-20	1/4-20
FO-200-100	200	158.75	6 1/4	31.75	1 1/4	12.7	1/2	120.65	4 3/4	6.35-20	1/4-20
FO-250-100	250	203.2	8	47.62	1 7/8	19.05	3/4	136.53	5 3/8	9.53-16	3/8-16
FO-300-100	300	203.2	8	47.62	1 7/8	19.05	3/4	136.53	5 3/8	9.53-16	3/8-16
FO-400-100	400	203.2	8	47.62	1 7/8	19.05	3/4	136.53	5 3/8	9.53-16	3/8-16
FO-500-100	500	203.2	8	47.62	1 7/8	19.05	3/4	136.53	5 3/8	9.53-16	3/8-16
FO-600-100	600	203.2	8	60.33	2 3/8	25.4	1	136.53	5 3/8	9.53-16	3/8-16
FO-750-100	750	203.2	8	60.33	2 3/8	25.4	1	136.53	5 3/8	9.53-16	3/8-16
FO-1000-100	1000	203.2	8	60.33	2 3/8	25.4	1	136.53	5 3/8	9.53-16	3/8-16

## 50mV MODEL / 100 THROUGH 600 AMPERES / TYPE FP 100 a 1000 AMPERES

CATALOG No. No. CATALOGO	AMP	A		B		C		D		E	
		mm	in	mm	in	mm	in	mm	in	mm	in
FP-100-50	100	114.3	4 1/2	25.4	1	12.7	1/2	88.9	3 1/2	9.53-16 19.05	3/8-16 x 3/4
FP-150-50	150	114.3	4 1/2	25.4	1	12.7	1/2	88.9	3 1/2	9.53-16 19.05	3/8-16 x 3/4
FP-200-50	200	114.3	4 1/2	25.4	1	12.7	1/2	88.9	3 1/2	9.53-16 19.05	3/8-16 x 3/4
FP-250-50	250	136.53	5 3/8	34.93	1 3/8	15.88	5/8	101.6	4	12.7-13 x 25.4	1/2-13 x 1
FP-300-50	300	136.53	5 3/8	34.93	1 3/8	15.88	5/8	101.6	4	12.7-13 x 25.4	1/2-13 x 1
FP-400-50	400	136.53	5 3/8	34.93	1 3/8	15.88	5/8	101.6	4	12.7-13 x 25.4	1/2-13 x 1
FP-500-50	500	139.7	5 1/2	38.1	1 1/2	25.4	1	101.6	4	12.7-13 x 25.4	1/2-13 x 1
FP-600-50	600	139.7	5 1/2	38.1	1 1/2	25.4	1	101.6	4	12.7-13 x 25.4	1/2-13 x 1



Dimensions in mm (inches). Tolerances  $\pm 0.381$  mm (0.015 in) for hole diameters, other tolerances  $\pm 0.762$  mm (0.030 in) unless otherwise noted. Dimensions are subject to change without notice.

Las dimensiones están en milímetros (pulgadas) con tolerancia  $\pm 0.381$  mm (0.015 in) para los diámetros de los barrenos, para las demás medidas 0.762 mm (0.030 in) a menos de que se especifique otra.

Las dimensiones pueden variar sin previo aviso.

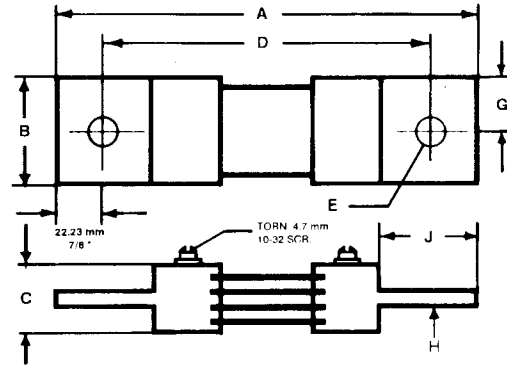
# DC AMMETER SHUNTS



# DERIVADORES DE CORRIENTE (SHUNTS)

## 50mV MODEL / 300 THROUGH 1000 AMPERES / TYPE FQ 300 a 1000 AMPERES

CATALOG No. No. CATALOGO	AMP	A		B		C		D		E		G		J	
		mm	in	mm	in	mm	in	mm	in	mm	in	mm	in	mm	in
FQ-300-50	300	177.8	7	31.75	1 1/4	25.4	1	133.35	5 1/4	13.49	17/32	15.88	5/8	44.45	1 3/4
FQ-400-50	400	177.8	7	31.75	1 1/4	25.4	1	133.35	5 1/4	13.49	17/32	15.88	5/8	44.45	1 3/4
FQ-500-50	500	177.8	7	31.75	1 1/4	25.4	1	133.35	5 1/4	13.49	17/32	15.88	5/8	44.45	1 3/4
FQ-600-50	600	177.8	7	38.1	1 1/2	25.4	1	133.35	5 1/4	13.49	17/32	19.05	3/4	44.45	1 3/4
FQ-750-50	750	177.8	7	50.8	2	25.4	1	133.35	5 1/4	16.67	21/32	25.4	1	44.45	1 3/4
FQ-800-50	800	177.8	7	50.8	2	25.4	1	133.35	5 1/4	16.67	21/32	25.4	1	44.45	1 3/4
FQ-1000-50	1000	177.8	7	63.5	2 1/2	25.4	1	133.35	5 1/4	16.67	21/32	31.75	1 1/4	44.45	1 3/4



## 100mV MODEL / 120 THROUGH 500 AMPERES / TYPE FQ 120 a 500 AMPERES

CATALOG No. No. CATALOGO	AMP	A		B		C		D		E		G		J	
		mm	in	mm	in	mm	in	mm	in	mm	in	mm	in	mm	in
FQ-120-100	120	209.6	8 1/4	31.75	1 1/4	25.4	1	165.1	6 1/2	13.49	17/32	15.88	5/8	47.6	1 7/8
FQ-130-100	130	209.6	8 1/4	31.75	1 1/4	25.4	1	165.1	6 1/2	13.49	17/32	15.88	5/8	47.6	1 7/8
FQ-150-100	150	209.6	8 1/4	38.1	1 1/2	25.4	1	165.1	6 1/2	13.49	17/32	19.05	3/4	47.6	1 7/8
FQ-200-100	200	209.6	8 1/4	38.1	1 1/2	25.4	1	165.1	6 1/2	13.49	17/32	19.05	3/4	47.6	1 7/8
FQ-250-100	250	209.6	8 1/4	50.8	2	25.4	1	185.1	6 1/2	13.49	17/32	25.4	1	47.6	1 7/8
FQ-300-100	300	209.6	8 1/4	50.8	2	25.4	1	165.1	6 1/2	13.49	17/32	25.4	1	47.6	1 7/8
FQ-400-100	400	209.6	8 1/4	50.8	2	25.4	1	165.1	6 1/2	13.49	17/32	25.4	1	47.6	1 7/8
FQ-500-100	500	209.6	8 1/4	63.5	2 1/2	25.4	1	165.1	6 1/2	13.49	17/32	31.75	1 1/4	47.6	1 7/8

H One copper blade at each end  
6.35 mm (1/4") thick.  
H Un disparador de cobre en cada cuerpo.  
6.35 mm (1/4") de espesor.

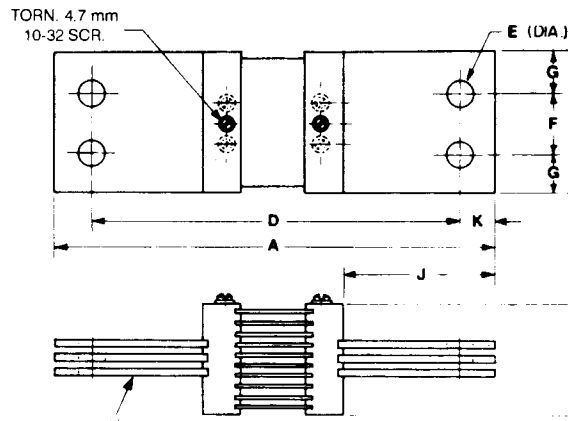
## 50 mV MODEL / 1000 THROUGH 10,000 AMPERES / TYPE FR 1000 A 10,000 AMPERES / 50 mV MODELO

CATALOG No. No. CATALOGO	AMP	A		B		C		D		E		F		G		H	J		K	
		mm	in	mm	in	mm	in	mm	in	mm	in	mm	in	mm	in		mm	in	mm	in
FR-1000-50	1000	230.19	9 1/16	76.2	3	38.1	1 1/2	189.71	7 15/32	13.49	17/32	38.1	1 1/2	19.05	3/4	2	66.68	2 5/8	20.24	51/64
FR-1200-50	1200	230.19	9 1/16	76.2	3	38.1	1 1/2	189.71	7 15/32	13.49	17/32	38.1	1 1/2	19.05	3/4	2	66.68	2 5/8	20.24	51/64
FR-1500-50	1500	230.19	9 1/16	76.2	3	50.8	2	189.71	7 15/32	13.49	17/32	38.1	1 1/2	19.05	3/4	3	66.68	2 5/8	20.24	51/64
FR-2000-50	2000	230.19	9 1/16	101.6	4	50.8	2	189.71	7 15/32	13.49	17/32	50.8	2	25.4	1	3	66.68	2 5/8	20.24	51/64
FR-2500-50	2500	396.88	15 5/8	101.6	4	76.2	3	301.23	11 55/64	16.67	21/32	50.8	2	25.4	1	3	139.7	5 1/2	47.63	1 7/8
FR-3000-50	3000	396.88	15 5/8	101.6	4	76.2	3	301.23	11 55/64	16.67	21/32	50.8	2	25.4	1	4	139.7	5 1/2	47.63	1 7/8
FR-4000-50	4000	396.88	15 5/8	127	5	76.2	3	301.23	11 55/64	20.64	13/16	50.8	2	38.1	1 1/2	4	139.7	5 1/2	47.63	1 7/8
FR-5000-50	5000	396.88	15 5/8	127	5	101.6	4	301.23	11 55/64	20.64	13/16	50.8	2	38.1	1 1/2	5	139.7	5 1/2	47.63	1 7/8
FR-6000-50	6000	396.88	15 5/8	152.4	6	101.6	4	313.93	12 23/64	20.64	13/16	69.85	2 3/4	41.28	1 5/8	5	139.7	5 1/2	41.67	1 41/64
FR-7500-50	7500	396.88	15 5/8	152.4	6	101.6	4	313.93	12 23/64	20.64	13/16	69.85	2 3/4	41.28	1 5/8	6	139.7	5 1/2	41.67	1 41/64
FR-8000-50	8000	396.88	15 5/8	152.4	6	101.6	4	313.93	12 23/64	20.64	13/16	69.85	2 3/4	41.28	1 5/8	6	139.7	5 1/2	41.67	1 41/64
FR-10,000-50	10,000	402.83	15 55/64	203.2	8	101.6	4	326.63	12 55/64	26.99	11/16	88.9	3 1/2	57.15	2 1/4	6	140.49	5 17/32	38.1	1 1/2

## 100 mV MODEL / 600 THROUGH 6000 AMPERES / TYPE FR 600 A 6000 AMPERES / 50 mV MODELO

CATALOG No. No. CATALOGO	AMP	A		B		C		D		E		F		G		H	J		K	
		mm	in	mm	in	mm	in	mm	in	mm	in	mm	in	mm	in		mm	in	mm	in
FR-600-100	600	304.8	12	76.2	3	38.1	1 1/2	266.7	10 1/2	13.49	17/32	38.1	1 1/2	19.05	3/4	2	66.68	2 5/8	19.05	3/4
FR-750-100	750	304.8	12	76.2	3	38.1	1 1/2	266.7	10 1/2	13.49	17/32	38.1	1 1/2	19.05	3/4	2	66.68	2 5/8	19.05	3/4
FR-800-100	800	304.8	12	76.2	3	38.1	1 1/2	266.7	10 1/2	13.49	17/32	38.1	1 1/2	19.05	3/4	2	66.68	2 5/8	19.05	3/4
FR-1000-100	1000	304.8	12	76.2	3	50.8	2	266.7	10 1/2	13.49	17/32	38.1	1 1/2	19.05	3/4	3	66.68	2 5/8	19.05	3/4
FR-1200-100	1200	304.8	12	101.6	4	50.8	2	266.7	10 1/2	13.49	17/32	50.8	2	25.4	1	3	66.68	2 5/8	19.05	3/4
FR-1500-100	1500	469.9	18 1/2	101.6	4	76.2	3	381	15	16.67	21/32	50.8	2	25.4	1	3	134.14	5 9/32	44.45	1 3/4
FR-2000-100	2000	469.9	18 1/2	101.6	4	76.2	3	381	15	16.67	21/32	50.8	2	25.4	1	3	134.14	5 9/32	44.45	1 3/4
FR-2500-100	2500	469.9	18 1/2	127	5	76.2	3	381	15	16.67	21/32	50.8	2	38.1	1 1/2	3	134.14	5 9/32	44.45	1 3/4
FR-3000-100	3000	469.9	18 1/2	127	5	101.6	4	381	15	16.67	21/32	50.8	2	38.1	1 1/2	4	134.14	5 9/32	44.45	1 3/4
FR-4000-100	4000	471.49	18 9/16	127	5	101.6	4	381	15	20.64	13/16	63.5	2 1/2	31.75	1 1/4	4	134.14	5 9/32	45.24	1 25/32
FR-5000-100	5000	471.49	18 9/16	127	5	101.6	4	381	15	20.64	13/16	63.5	2 1/2	31.75	1 1/4	5	134.14	5 9/32	45.24	1 25/32
FR-6000-100	6000	471.49	18 9/16	152.4	6	101.6	4	393.7	15 1/2	20.64	13/16	76.2	3	38.10	1 1/2	5	134.14	5 9/32	38.89	1 17/32

H Number of copper blades at each end.  
6.35 mm (1/4") thick, 6.35 mm (1/4") Apart.  
H Número de disparadores de cobre en cada cuerpo.  
6.35 mm (1/4") de espesor, 6.35 mm (1/4") de separación.



Dimensions in mm (inches). Tolerances  $\pm 0.381$  mm (0.015 in) for hole diameters, other Tolerances  $\pm 0.762$  mm (0.030 in) unless otherwise noted. Dimensions are subject to change without notice.

Las dimensiones están en milímetros (pulgadas) con tolerancia  $\pm 0.381$  mm (0.015 in) para los diámetros de los barrenos, para las demás medidas 0.762 mm (0.030 in) a menos de que se especifique otra. Las dimensiones pueden variar sin previo aviso.



# DC AMMETER SHUNTS DERIVADORES DE CORRIENTE (SHUNTS)

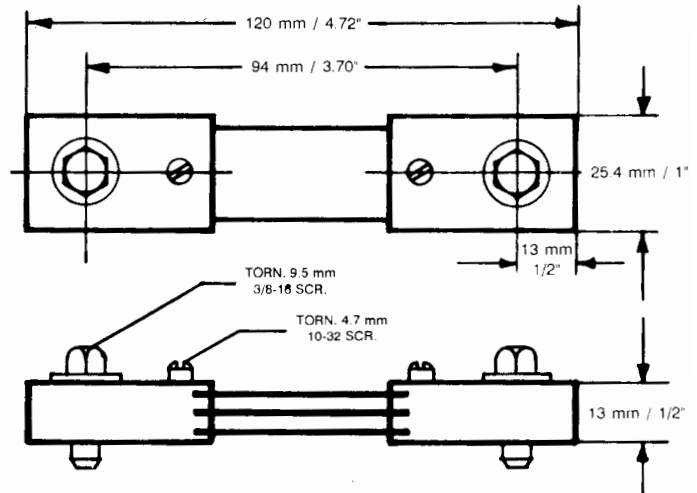
MODEL / TYPE FW

MODELO / TYPE FW

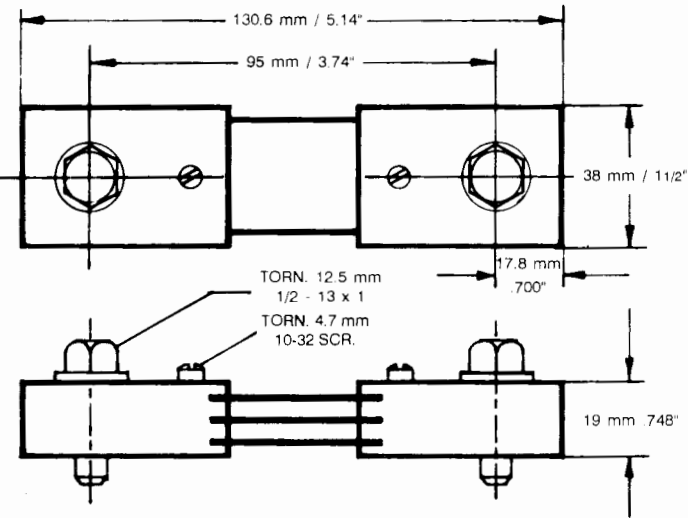
RANGE AMPERES / RANGO

CATALOG No. No. CATALOGO	AMP	CATALOG No. No. CATALOGO	AMP
FW-10-50	10	FW-250-50	250
FW-15-50	15	FW-300-50	300
FW-25-50	25	FW-400-50	400
FW-30-50	30	FW-500-50	500
FW-50-50	50	FW-600-50	600
FW-100-50	100	FW-800-50	800
FW-150-50	150	FW-1000-50	1000
FW-200-50	200	FW-1500-50	1500
		FW-2000-50	2000

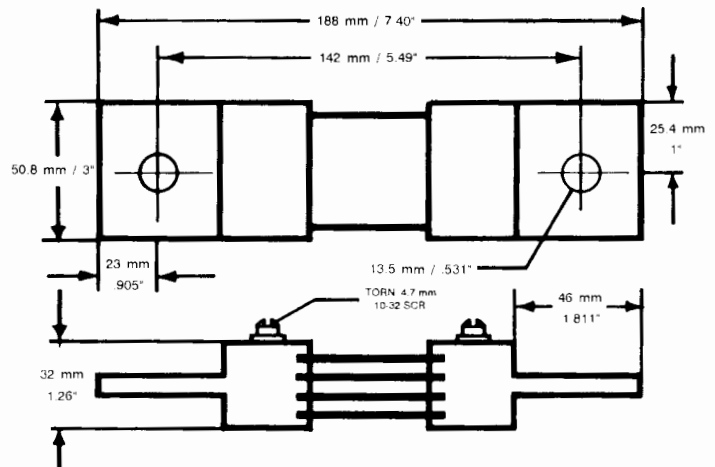
10-200 AMPERES



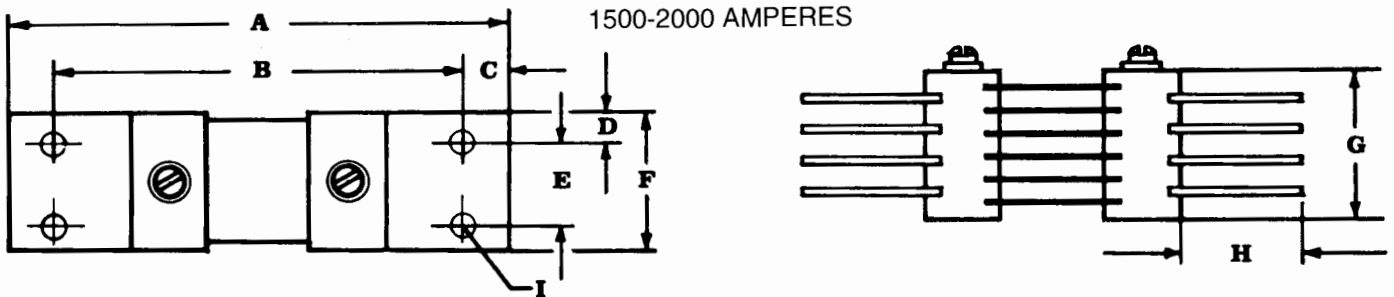
250-600 AMPERES



800-1000 AMPERES



1500-2000 AMPERES



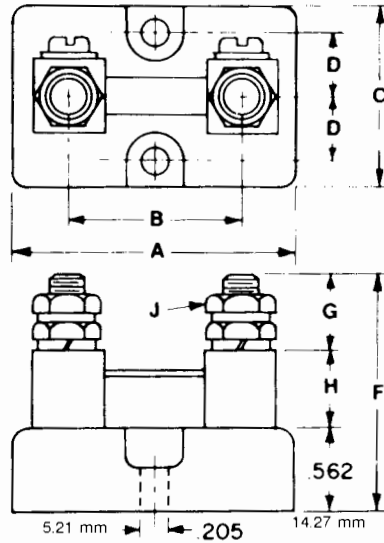
50mV MODEL / 1500 THROUGH 2000 AMPERES / TYPE FW 1500 a 2000 AMPERES / 50 mV MODELO

CATALOG No. No. CATALOGO	AMP	A		B		C		D		E		F		G		H		I	
		mm	in	mm	in	mm	in	mm	in	mm	in	mm	in	mm	in	mm	in	mm	in
FW-1500-50	1500	241	9.48	201	7.91	20	0.78	19	0.75	38	1.50	76	2.99	51	2	65	2.56	13	0.51
FW-2000-50	2000	253.4	9.97	201	7.91	20.6	0.81	25.8	1.02	50	1.97	101.6	4	51	2	71	2.80	13	0.51

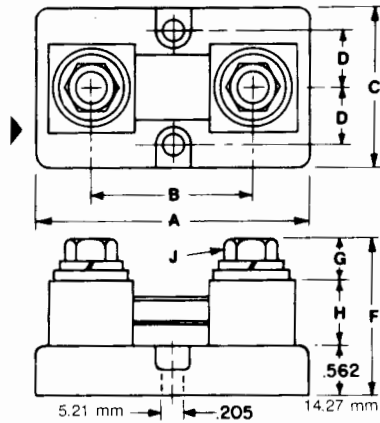
Dimensions in mm (inches). Tolerances  $\pm 0.381$  mm (0.015 in) for hole diameters, other tolerances  $\pm 0.762$  mm (0.030 in) unless otherwise noted. Dimensions are subject to change without notice.

Las dimensiones están en milímetros (pulgadas) con tolerancia  $\pm 0.381$  mm (0.015 in) para los diámetros de los barrenos, para las demás medidas 0.762 mm (0.030 in) a menos de que se especifique otra. Las dimensiones pueden variar sin previo aviso.

TM 5 THROUGH 150 AMPERES  
TM 5 - a 150 AMPERES



TM 170 THROUGH 1200 AMPERES  
TM 170 - a 1200 AMPERES



50 mV MODEL / LIGHT WEIGHT / 5 THROUGH 1200 AMPERES / TYPE TM 5 a 1200 AMPERES / TIPO LIGERO

CATALOG No. No. CATALOGO	AMP	A		B		C		D		F		G		H		J	
		mm	in	mm	in	mm	in	mm	in	mm	in	mm	in	mm	in	mm	in
TM-5-50	5	50.8	2	25.4	1	31.75	1 1/4	11.1	.437	42.88	1.688	15.88	.625	12.7	1/2	6.35-28	1/4-28
TM-10-50	10	50.8	2	25.4	1	31.75	1 1/4	11.1	.437	42.88	1.688	15.88	.625	12.7	1/2	6.35-28	1/4-28
TM-15-50	15	50.8	2	25.4	1	31.75	1 1/4	11.1	.437	42.88	1.688	15.88	.625	12.7	1/2	6.35-28	1/4-28
TM-20-50	20	50.8	2	25.4	1	31.75	1 1/4	11.1	.437	42.88	1.688	15.88	.625	12.7	1/2	6.35-28	1/4-28
TM-30-50	30	50.8	2	25.4	1	31.75	1 1/4	11.1	.437	42.88	1.688	15.88	.625	12.7	1/2	6.35-28	1/4-28
TM-50-50	50	50.8	2	25.4	1	31.75	1 1/4	11.1	.437	42.88	1.688	15.88	.625	12.7	1/2	6.35-28	1/4-28
TM-75-50	75	50.8	2	25.4	1	31.75	1 1/4	11.1	.437	42.88	1.688	15.88	.625	12.7	1/2	6.35-28	1/4-28
TM-80-50	80	50.8	2	25.4	1	31.75	1 1/4	11.1	.437	42.88	1.688	15.88	.625	12.7	1/2	6.35-28	1/4-28
TM-85-50	85	50.8	2	25.4	1	31.75	1 1/4	11.1	.437	42.88	1.688	15.88	.625	12.7	1/2	6.35-28	1/4-28
TM-100-50	100	50.8	2	25.4	1	31.75	1 1/4	11.1	.437	42.88	1.688	15.88	.625	12.7	1/2	6.35-28	1/4-28
TM-150-50	150	50.8	2	25.4	1	31.75	1 1/4	11.1	.437	42.88	1.688	15.88	.625	12.7	1/2	6.35-28	1/4-28
TM-170-50	170	82.55	3 1/4	38.1	1 1/2	44.45	1 3/4	15.88	.625	44.45	1 3/4	11.13	.438	19.05	3/4	9.53-16 x 15.88	3/8-16 x 5/8
TM-200-50	200	82.55	3 1/4	38.1	1 1/2	44.45	1 3/4	15.88	.625	44.45	1 3/4	11.13	.438	19.05	3/4	9.53-16 x 15.88	3/8-16 x 5/8
TM-250-50	250	82.55	3 1/4	38.1	1 1/2	44.45	1 3/4	15.88	.625	44.45	1 3/4	11.13	.438	19.05	3/4	9.53-16 x 15.88	3/8-16 x 5/8
TM-300-50	300	82.55	3 1/4	38.1	1 1/2	44.45	1 3/4	15.88	.625	44.45	1 3/4	11.13	.438	19.05	3/4	9.53-16 x 15.88	3/8-16 x 5/8
TM-400-50	400	82.55	3 1/4	38.1	1 1/2	44.45	1 3/4	15.88	.625	44.45	1 3/4	11.13	.438	19.05	3/4	9.53-16 x 15.88	3/8-16 x 5/8
TM-450-50	450	82.55	3 1/4	38.1	1 1/2	44.45	1 3/4	15.88	.625	44.45	1 3/4	11.13	.438	19.05	3/4	9.53-16 x 15.88	3/8-16 x 5/8
TM-500-50	500	82.55	3 1/4	38.1	1 1/2	44.45	1 3/4	15.88	.625	44.45	1 3/4	11.13	.438	19.05	3/4	9.53-16 x 15.88	3/8-16 x 5/8
TM-600-50	600	82.55	3 1/4	38.1	1 1/2	44.45	1 3/4	15.88	.625	44.45	1 3/4	11.13	.438	19.05	3/4	9.53-16 x 15.88	3/8-16 x 5/8
TM-800-50	800	114.3	4 1/2	54.86	2.16	63.5	2 1/2	25.4	1	53.98	2.125	14.28	.562	25.4	1	12.7-13 x 22.23	1/2-13 x 7/8
TM-1000-50	1000	114.3	4 1/2	54.86	2.16	63.5	2 1/2	25.4	1	53.98	2.125	14.28	.562	25.4	1	12.7-13 x 22.23	1/2-13 x 7/8
TM-1200-50	1200	114.3	4 1/2	54.86	2.16	63.5	2 1/2	25.4	1	53.98	2.125	14.28	.562	25.4	1	12.7-13 x 22.23	1/2-13 x 7/8

Dimensions in mm (inches). Tolerances  $\pm 0.381$  mm (0.015 in) for hole diameters, other tolerances  $\pm 0.762$  mm (0.030 in) unless otherwise noted. Dimensions are subject to change without notice.

Las dimensiones están en milímetros (pulgadas) con tolerancia  $\pm 0.381$  mm (0.015 in) para los diámetros de los barrenos, para las demás medidas 0.762 mm (0.030 in) a menos de que se especifique otra. Las dimensiones pueden variar sin previo aviso.