

TORN. 4.7 mm 10-32 SCR.

50mV MODEL / 1000 THROUGH 3000 AMPERES / TYPE FM 1000 a 3000 AMPERES / 50mV MODELO

CATALOG No. No. CATALOGO	AMP	A		B		C		D		E		F		G	
		mm	in	mm	in	mm	in	mm	in	mm	in	mm	in	mm	in
FM-1000-50	1000	127	5	50.8	2	31.75	1 1/4	76.2	3	10.32	13/32	25.4	1	12.7	1/2
FM-1200-50	1200	127	5	50.8	2	31.75	1 1/4	76.2	3	10.32	13/32	25.4	1	12.7	1/2
FM-1500-50	1500	123.83	4 7/8	50.8	2	31.75	1 1/4	73.03	2 7/8	10.32	13/32	25.4	1	12.7	1/2
FM-2000-50	2000	120.65	4 3/4	50.8	2	31.75	1 1/4	69.85	2 3/4	10.32	13/32	25.4	1	12.7	1/2
FM-2500-50	2500	117.48	4 5/8	50.8	2	31.75	1 1/4	66.68	2 5/8	10.32	13/32	25.4	1	12.7	1/2
FM-3000-50	3000	114.3	4 1/2	50.8	2	31.75	1 1/4	63.5	2 1/2	10.32	13/32	25.4	1	12.7	1/2

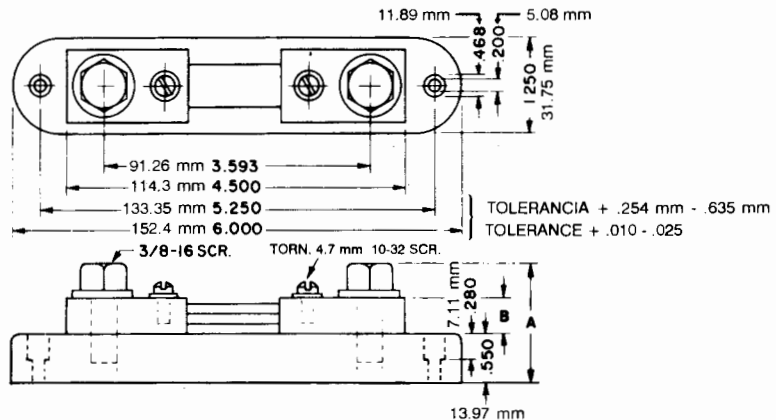
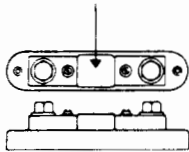
1 THROUGH 500 AMPERES / 50mV MODEL
50mV TYPE FN 1 a 500 AMPERES

CATALOG No. No. CATALOGO	AMP	A		B	
		mm	in	mm	in
FN-1-50*	1	35.05	1.38	12.7	1/2
FN-2-50*	2	35.05	1.38	12.7	1/2
FN-5-50*	5	35.05	1.38	12.7	1/2
FN-10-50*	10	35.05	1.38	12.7	1/2
FN-20-50	20	35.05	1.38	12.7	1/2
FN-50-50	50	35.05	1.38	12.7	1/2
FN-100-50	100	35.05	1.38	12.7	1/2
FN-150-50	150	35.05	1.38	12.7	1/2
FN-200-50	200	35.05	1.38	12.7	1/2
FN-250-50	250	41.40	1.63	19.05	3/4
FN-300-50	300	41.40	1.63	19.05	3/4
FN-400-50	400	41.40	1.63	19.05	3/4
FN-500-50	500	41.40	1.63	19.05	3/4

1 THROUGH 500 AMPERES / 100mV MODEL
100mV TYPE FN 1 a 500 AMPERES

CATALOG No. No. CATALOGO	AMP	A		B	
		mm	in	mm	in
FN-1-100	1	35.05	1.38	12.7	1/2
FN-2-100	2	35.05	1.38	12.7	1/2
FN-5-100	5	35.05	1.38	12.7	1/2
FN-10-100	10	35.05	1.38	12.7	1/2
FN-15-100	15	35.05	1.38	12.7	1/2
FN-20-100	20	35.05	1.38	12.7	1/2
FN-25-100	25	35.05	1.38	12.7	1/2
FN-50-100	50	35.05	1.38	12.7	1/2
FN-75-100	75	35.05	1.38	12.7	1/2
FN-100-100	100	35.05	1.38	12.7	1/2
FN-200-100	200	35.05	1.38	12.7	1/2
FN-300-100	300	41.40	1.63	19.05	3/4
FN-500-100	500	41.40	1.63	19.05	3/4

- * Low amperage models are furnished with protective covers.
- * Los modelos de bajo amperaje incluyen cubierta protectora.



Dimensions in mm (inches). Tolerances ± 0.381 mm (0.015 in) for hole diameters, other tolerances ± 0.762 mm (0.030 in) unless otherwise noted. Dimensions are subject to change without notice.

Las dimensiones están en milímetros (pulgadas) con tolerancia ± 0.381 mm (0.015 in) para los diámetros de los barrenos, para las demás medidas 0.762 mm (0.030 in) a menos de que se especifique otra. Las dimensiones pueden variar sin previo aviso.