



MV Control Power Transformer

Model CPT3-60-2

APPLICATION:

To provide control power in distribution equipment and motor starters

FREQUENCY:

See below

INSULATION LEVEL:

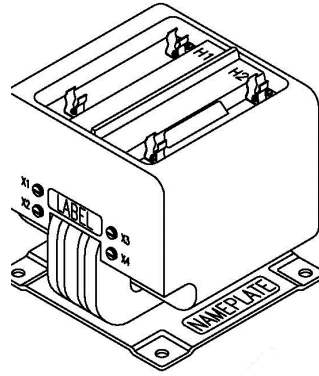
5 kV, 60 kV BIL, full wave

THERMAL RATING:

At 30°C. amb., see below

APPROXIMATE WEIGHT:

63 lbs.



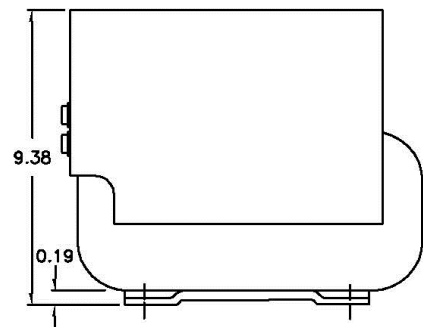
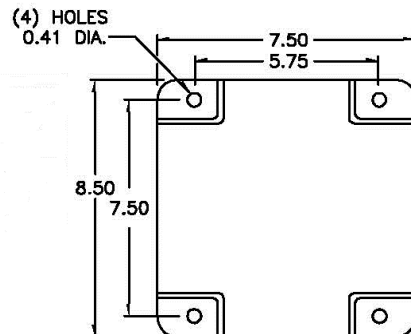
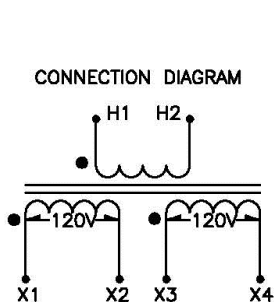
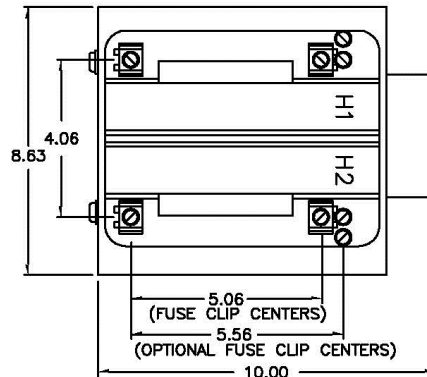
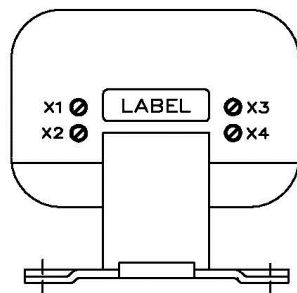
CERTIFICATIONS:



- Primary terminals are brass screws No. 10-32 with one flat washer and lockwasher.
- Secondary terminals are brass screws No. 10-32 with one flat washer and lockwasher.
- The transformer winding is vacuum encapsulated in polyurethane resin
- Plated steel mounting base
- For indoor use

CATALOG NUMBER	PRIMARY VOLTAGE	RATIO	SECONDARY VOLTAGE	FREQUENCY	THERMAL RATING	PRIMARY FUSE
CPT3-60-2-242FF	2400V	20:1	120/240V	60Hz	2.0kVA	3E
CPT3-60-2-332FF	3300V	30:1	110/220V	50Hz	1.8kVA	2E
CPT3-60-2-4161FF	4160V	34.7:1	120/240V	60Hz	2.0kVA	2E
CPT3-60-2-482FF	4800V	40.1	120/240V	60Hz	2.0kVA	2E

*For fuse clips only, change FF to CC



Products are manufactured in a plant whose quality management system is certified / registered as being in conformity with ISO 9001