

APPLICATION:

To provide power in Motor Control centers and Distribution Switchgear

FREQUENCY:

50/60 Hz.

INSULATION LEVEL:

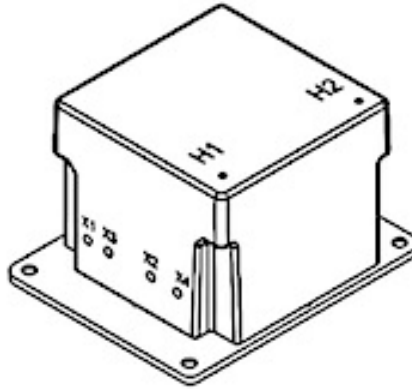
6.9 kV, 60 kV BIL. full wave

THERMAL RATING:

At 30°C. amb.

APPROXIMATE WEIGHT:

25 lbs.

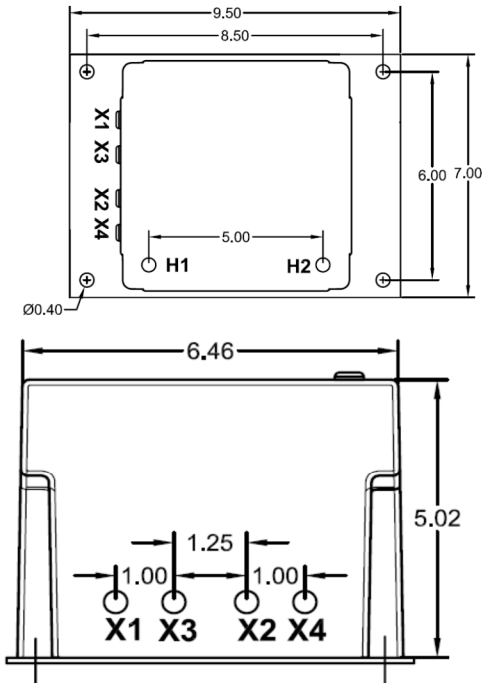


CERTIFICATIONS:



CATALOG NUMBER	PRIMARY VOLTAGE	RATIO AT 120 V	SECONDARY VOLTAGE	FREQUENCY Hz	THERMAL RATING
CPT3 60 05 2400 - 5	2400	21.81	110/220	50/60	0.5 kVA
CPT3 60 05 3300 - 5	3300	30.00	110/220	50/60	0.5 kVA
CPT3 60 05 4160 - 5	4160	37.81	110/220	50/60	0.5 kVA
CPT3 60 05 4800 - 5	4800	43.63	110/220	50/60	0.5 kVA
CPT3 60 05 5000 - 5	5000	45.45	110/220	50/60	0.5 kVA
CPT3 60 05 5500 - 5	5500	50.00	110/220	50/60	0.5 kVA
CPT3 60 05 6000 - 5	6000	54.54	110/220	50/60	0.5 kVA
CPT3 60 05 6600 - 5	6600	60.00	110/220	50/60	0.5 kVA
CPT3 60 05 6900 - 5	6900	62.72	110/220	50/60	0.5 kVA

- Primary and secondary terminal are brass screws No. 10-32 with one flat washer and lockwasher.
- Transformer winding is vacuum encapsulated in polyurethane resin with temperature insulation class of 105°C
- Plated steel mounting base
- For indoor use



CONNECTION DIAGRAM

