



Current Transformer

Model 7

APPLICATION:

With ammeters, wattmeters and cross current compensation.

FREQUENCY:

50-400 Hz.

INSULATION LEVEL:

600 Volts. 10 kV BIL. full wave

WINDOW DIAMETER:

2.50"

APPROXIMATE WEIGHT:

1.5 lbs.

CONNECTIONS:

-Flexible leads are UL 1015 105 C, CSA approved #16 AWG, 24" long

-Non-standard length to be specified

-Terminals are brass studs No. 8-32 UNC with one flat washer, lockwasher, and regular nut

-SFT and SHT case styles also available as SFL and SHL with leads

-Mounting kit 59-0219



Model	7SHT	7SFT	7RL
Window Size	2.50	2.50	2.50
Width	4.56	4.56	4.58
Height	4.85	4.85	4.58
Depth	1.10	1.08	1.10

CERTIFICATIONS:



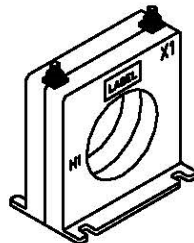
MODEL 7
Window Diameter 2.50"
Approximate weight: 1.5 lbs.

CATALOG NUMBER	CURRENT RATIO	ACCURACY AT 60 HZ	BURDEN VA AT 60 HZ
7*-101	100:5	+ 2%	2.5
7*-151	150:5	+ 1%	5
7*-201	200:5	+ 1%	5
7*-251	250:5	+ 1%	5
7*-301	300:5	+ 1%	12.5
7*-401	400:5	+ 1%	15
7*-501	500:5	+ 1%	25
7*-601	600:5	+ 1%	30
7*-751	750:5	+ 1%	30
7*-801	800:5	+ 1%	35
7*-102	1000:5	+ 1%	35
7*-122	1200:5	+ 1%	35
7*-152	1500:5	+ 1%	40
7*-162	1600:5	+ 1%	45

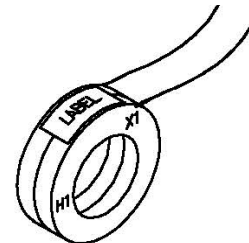
Note: When ordering, prefix Cat No. with model designation required, i.e. 7SFT-500, 7RL-500, etc.



7SHT

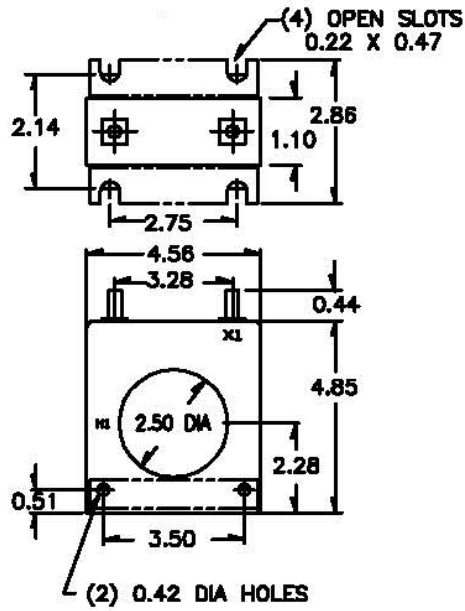


7SFT

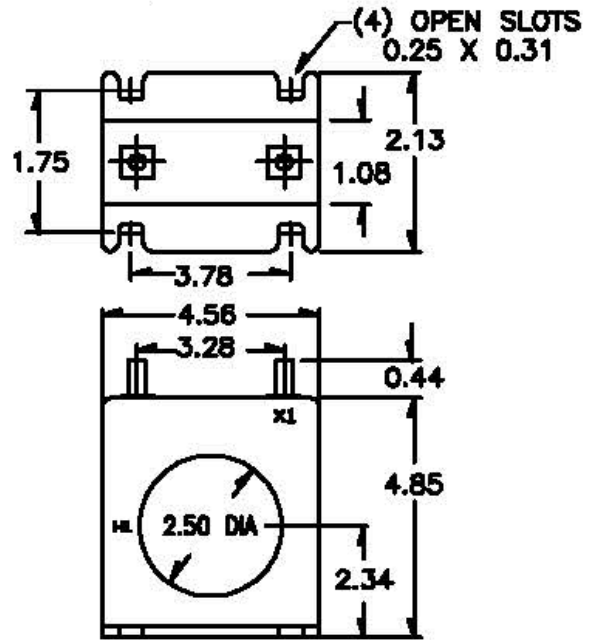


7RL

7SHT



7SFT



7RL

