



Current Transformer

Model 563

APPLICATION:

Relaying and Metering

FREQUENCY:

50-400 Hz.

INSULATION LEVEL:

600 Volts, 10 kV BIL, full wave

CONTINUOUS THERMAL RATING FACTOR:

1.33 at 30°C amb., 1.0 at 55°C amb.

INSULATION SYSTEM:

Temperature Class H (180°C.)

WINDOW DIAMETER:

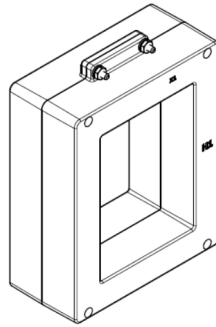
4.00" x 5.38"

APPROXIMATE WEIGHT:

12 lbs.

CONNECTIONS:

Secondary terminals are No. 10-32 brass studs with one flat



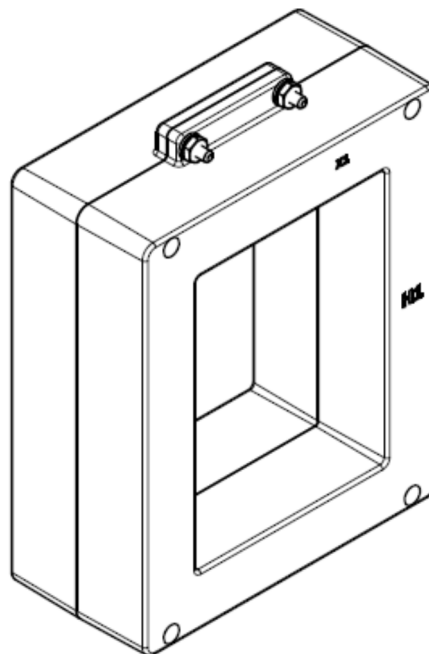
Model	563
Window Size	4.00 x 5.38
Width	6.30
Height	7.63
Depth	2.88

CERTIFICATIONS:

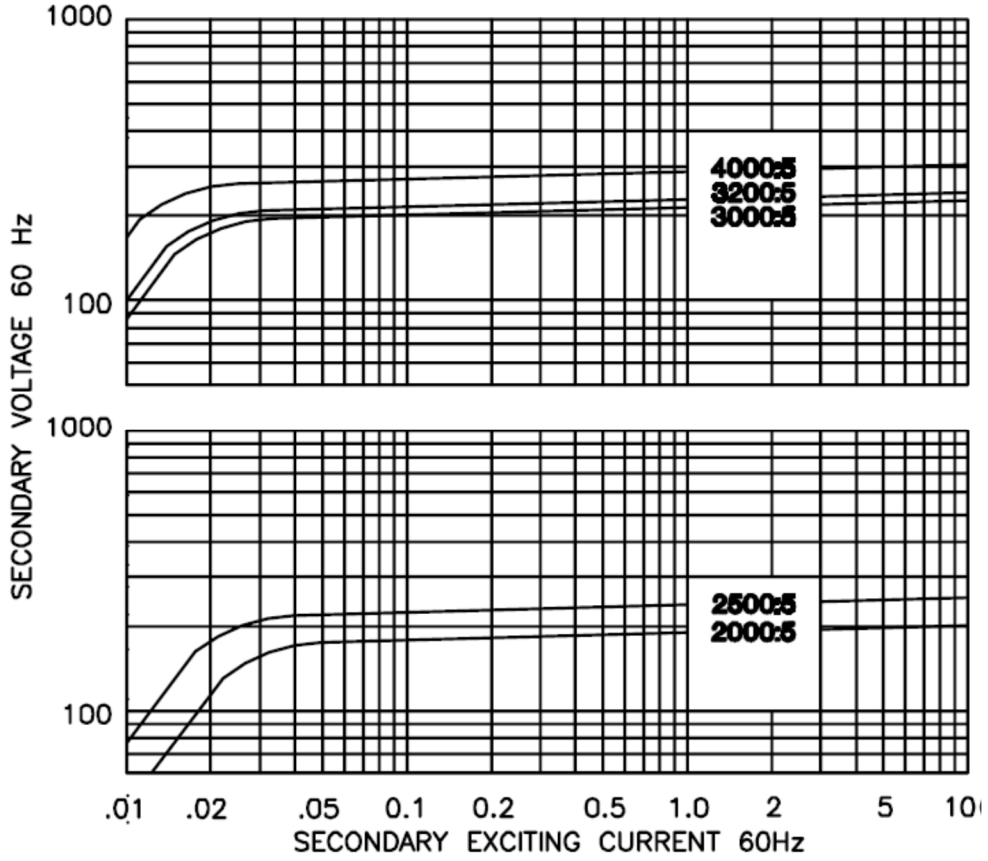


MODEL 563
Window Diameter 4.00" x 5.38"
Approximate weight: 12 lbs.

CATALOG NUMBER	CURRENT RATIO	RELAY CLASS	ANSI METERING CLASS AT 60 HZ					SECONDARY WINDING RESISTANCE (OHMS @ 75°C)
			B0.1	B0.2	B0.5	B0.9	B1.8	
563-202	2000:5	C50	0.3	0.3	0.3	0.3	0.3	0.995
563-252	2500:5	C50	0.3	0.3	0.3	0.3	0.3	1.244
563-302	3000:5	C20	0.3	0.3	0.3	0.3	0.3	1.382
563-322	3200:5	C20	0.3	0.3	0.3	0.3	0.3	1.474
563-402	4000:5	C20	0.3	0.3	0.3	0.3	0.3	1.842



EXCITATION CURVE



DIMENSIONS

