



# Current Transformer

**Model 560**

**APPLICATION:**

Metering

**FREQUENCY:**

50-400 Hz.

**INSULATION LEVEL:**

600 Volts, 10 kV BIL, full wave

**CONTINUOUS THERMAL RATING FACTOR:**

1.33 at 30°C amb., 1.0 at 55°C amb.

**INSULATION SYSTEM:**

Temperature Class H (180°C.)

**WINDOW DIAMETER:**

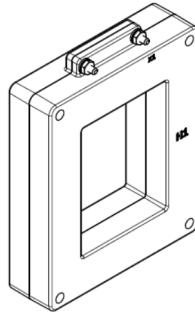
3.25" x 4.25"

**APPROXIMATE WEIGHT:**

6 lbs.

**CONNECTIONS:**

Secondary terminals are No. 10-32 brass studs with one flat



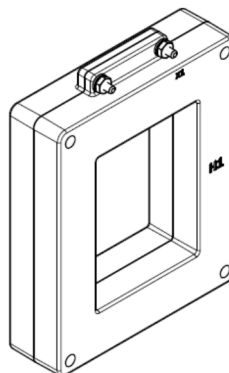
<b>Model</b>	<b>560</b>
<b>Window Size</b>	3.25 x 4.25
<b>Width</b>	5.75
<b>Height</b>	6.88
<b>Depth</b>	1.63

**CERTIFICATIONS:**



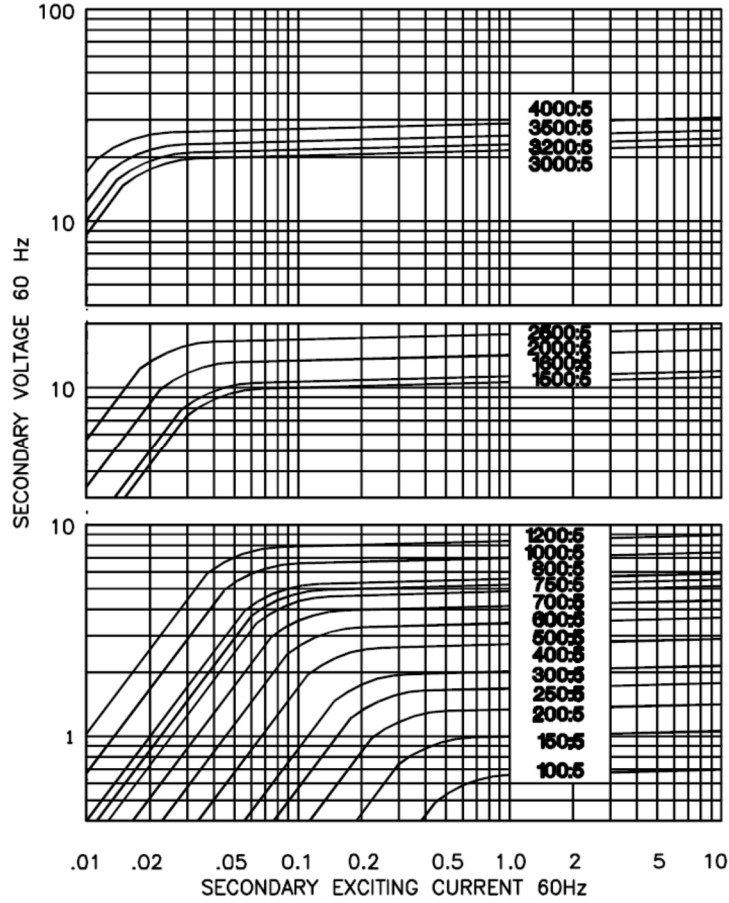
**MODEL 560**  
**Window Diameter 3.25" x 4.25"**  
**Approximate weight: 6 lbs.**

CATALOG NUMBER	CURRENT RATIO	ANSI METERING CLASS AT 60 HZ					SECONDARY WINDING RESISTANCE (OHMS @ 75°C)
		B0.1	B0.2	B0.5	B0.9	B1.8	
560-101	100:5	2.4	-	-	-	-	0.012
560-151	150:5	1.2	2.4	-	-	-	0.017
560-201	200:5	1.2	1.2	-	-	-	0.023
560-251	250:5	0.6	1.2	2.4	-	-	0.038
560-301	300:5	0.6	0.6	1.2	-	-	0.045
560-401	400:5	0.6	0.6	1.2	2.4	-	0.095
560-501	500:5	0.3	0.3	0.6	1.2	2.4	0.118
560-601	600:5	0.3	0.3	0.6	1.2	1.2	0.142
560-751	750:5	0.3	0.3	0.3	0.6	1.2	0.178
560-801	800:5	0.3	0.3	0.3	0.6	0.6	0.190
560-102	1000:5	0.3	0.3	0.3	0.6	0.6	0.211
560-122	1200:5	0.3	0.3	0.3	0.3	0.6	0.253
560-152	1500:5	0.3	0.3	0.3	0.3	0.6	0.368
560-162	1600:5	0.3	0.3	0.3	0.3	0.6	0.262
560-202	2000:5	0.3	0.3	0.3	0.3	0.6	0.328
560-252	2500:5	0.3	0.3	0.3	0.3	0.3	0.410
560-302	3000:5	0.3	0.3	0.3	0.3	0.3	0.347
560-322	3200:5	0.3	0.3	0.3	0.3	0.3	0.370
560-402	4000:5	0.3	0.3	0.3	0.3	0.3	0.462

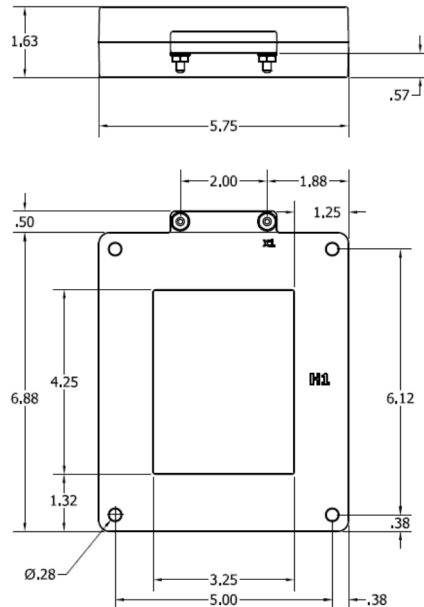


Products are manufactured in a plant whose quality management system is certified / registered as being in conformity with ISO 9001

### EXCITATION CURVE



### DIMENSIONS





## Current Transformer

**Model 560**