



# Voltage Transformer

**Model 468**

**FREQUENCY:**

60 Hz.

**STANDARD SECONDARY VOLTAGE:**

120 Volts

**INSULATION LEVEL:**

600 Volts. 10 kV BIL. full wave

**ACCURACY CLASS:**

± 0.6% at all burdens up to 7.5 VA and ±1.5% 20 VA Burden.

**THERMAL RATING:**

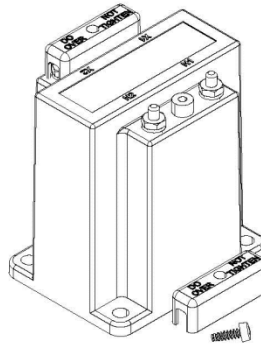
75 VA AT 30°c . amb., 50 VA AT 55°c. amb.

**APPROXIMATE WEIGHT:**

4 lbs.

**CONNECTIONS:**

-Terminals are brass studs No. 10-32 screws with one lockwasher, one flat washer, and regular nut.



**CERTIFICATIONS:**



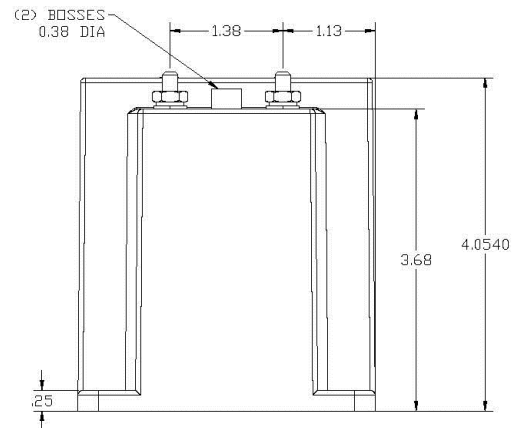
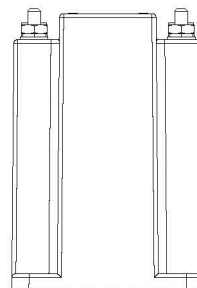
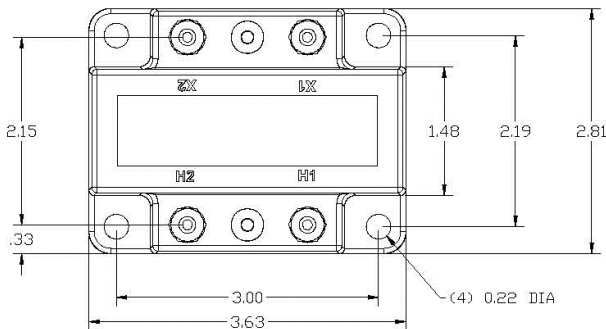
223647



**MODEL 468**  
Approximate weight: 4 lbs.

CATALOG NUMBER	VOLTAGE RATING	TURNS RATIO	REC. PRIMARY FUSE RATING
468-069	69.3:120	0.58:1	3
468-120	120:120	1:1	2
468-208	208:120	1.73:1	1
468-240	240:120	2:1	1
468-277	277:120	2.31:1	1
468-288	288:120	2.4:1	0.75
468-300	300:120	2.5:1	0.75
468-346	346:120	2.88:1	0.75
468-480*	480:120	4:1	0.50
468-600*	600:120	5:1	0.40

- The core and coil assembly is encased in a thermoplastic shell and filled with resin.
- Each transformer has two plastic terminal covers.
- These transformers are designed for operation line to line. They may also be operated line to ground or line to neutral at reduced voltage (58% of rated volts).
- It is desirable to use a 0.80 amp fuse in the secondary to protect the transformer.
- With two exceptions these transformers are ANSI C57. 13 group 1. Those marked \* are group 2.
- Models 468-380, 468-400, 468-416 designed specifically for 50 Hz operation are available with reduced performance consult factory for details.



Products are manufactured in a plant whose quality management system is certified / registered as being in conformity with ISO 9001