



Voltage Transformer

Model 450

FREQUENCY:

60 Hz.

STANDARD SECONDARY VOLTAGE:

120 Volts

INSULATION LEVEL:

600 Volts. 10 kV BIL. full wave

ACCURACY CLASS:

0.3 W, X, M & Y, 1.2Z

@0.3 W, 0.6 X, M & Y

THERMAL RATING:

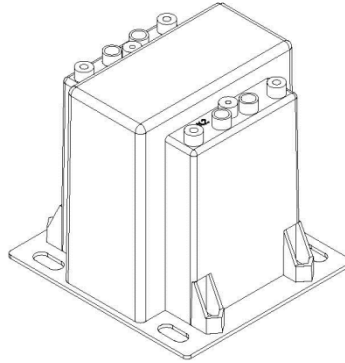
750 VA AT 30°C. AMB, 500 VA AT 55°C. amb.

APPROXIMATE WEIGHT:

25 lbs.

CONNECTIONS:

-The primary and secondary terminals are No. 10-32 screws into 3/8" deep brass inserts are fitted with one lockwasher and flat washer and are contained in a sealable terminal cover



CERTIFICATIONS:

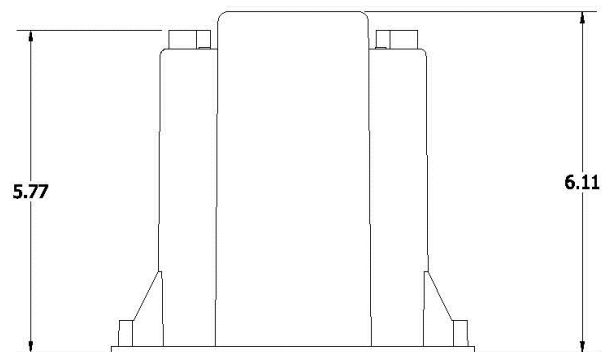
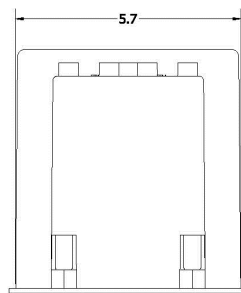
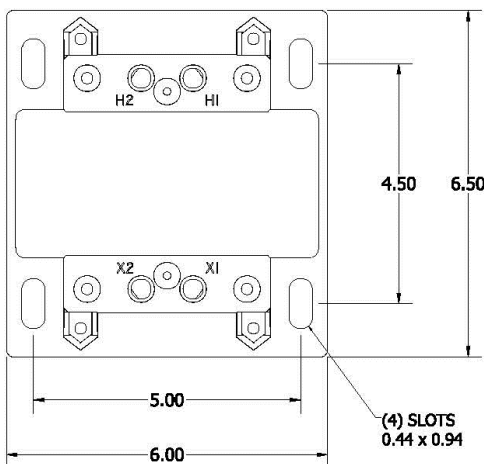


MODEL 450
Approximate weight: 25 lbs.

CATALOG NUMBER NOT FUSED	VOLTAGE RATING	TURNS RATIO	REC. PRIMARY FUSE RATING
**450-069	69.3:120	0.58:1	15.0
**450-120	120:120	1:1	10.0
450-208	208:120	1.73:1	8.0
450-240	240:120	2:1	8.0
450-277	277:120	2.31:1	8.0
450-288	288:120	2.4:1	6.0
450-300	300:120	2.5:1	6.0
450-346	346:120	2.88:1	5.0
450-480*	480:120	4:1	4.0
450-600*	600:120	5:1	3.0

*Models marked ** have Accuracy Class of 0.3 W, 0.6 X, M & Y – All others without asterisks are 0.3 W, X, M & Y, 1.2Z

- Core and coil assembly is encased in a thermoplastic shell and filled with resin.
- These transformers are designed for operation line to line. They may also be operated line to ground or line to neutral at reduced voltage, (58% of rated volts).
- It is desirable to use an 8.0 Amp BBS type or equal fuse in the secondary to protect the transformer.
- With two exceptions these transformers are ANSI C57.13 group 1. Those marked * are group 2.
- Model designed specifically for 50Hz operation are available with reduced performance consult factory for details.



Products are manufactured in a plant whose quality management system is certified / registered as being in conformity with ISO 9001