



3 Phase Voltage Transformer

Model 3VTN460

FREQUENCY:

60 Hz.

STANDARD SECONDARY VOLTAGE:

120 Volts Line-to-neutral

ACCURACY CLASS: (Per Phase)

0.6 W, 1.2 X at 60 Hz.

INSULATION LEVEL:

600 Volts, 10 kV BIL. full wave

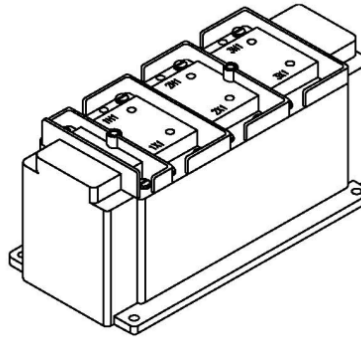
THERMAL RATING: (Per Phase)

150 VA at 30°C amb.

100 VA at 55°C. amb.

APPROXIMATE WEIGHT:

24 lbs.



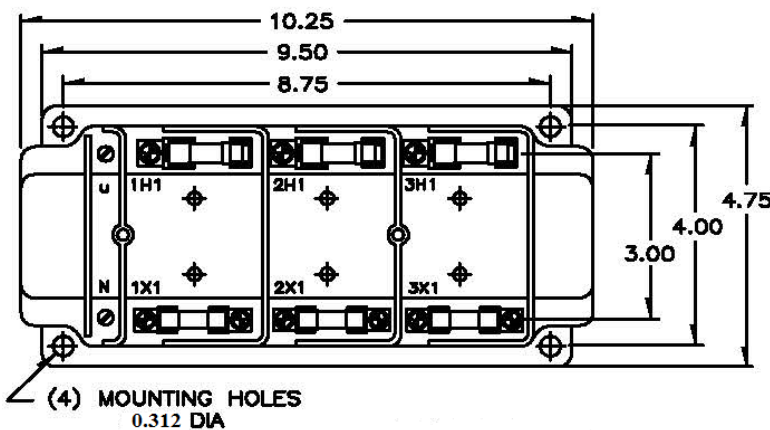
CERTIFICATIONS:



- The model 3VTN460 is an assembly of three transformers in one case.
- The primary and secondary terminals are No. 6-32 screws and fitted with one lockwasher and flat washer.
- The core and coil assembly is encased in a thermoplastic shell and filled with resin.
- These transformers are designed for operation line to neutral.
- Spacing between live parts per U.L. 1558.
- It is desirable to use a 1.6 amp BBS type or equal fuse in the secondary to protect the transformer.
- The transformer has a clear plastic terminal cover.
- Only ground N/n terminals if source is 3 phase, 4 wire effectively grounded.

MODEL 3VTN460
Approximate weight: 24 lbs.

CATALOG NUMBER	LINE TO NEUTRAL VOLTAGE RATING	TURNS RATIO	REC. PRIMARY FUSE RATING
3VTN460-069	69.3:120	0.58:1	5.0
3VTN460-120	120:120	1:1	4.0
3VTN460-240	240:120	2:1	2.0
3VTN460-277	277:120	2.31:1	2.0
3VTN460-300	300:120	2.5:1	1.5
3VTN460-346	346:120	2.88:1	1.5



CONNECTION DIAGRAMS

