



# 3 Phase Voltage Transformer

# Model 3VTL460

**FREQUENCY:**

60 Hz.

**STANDARD SECONDARY VOLTAGE:**

120 Volts Line-to-Line

**ACCURACY CLASS: (Per Phase)**

0.6 W, 1.2 X at 60 Hz

**INSULATION LEVEL:**

600 Volts, 10 kV BIL, full wave

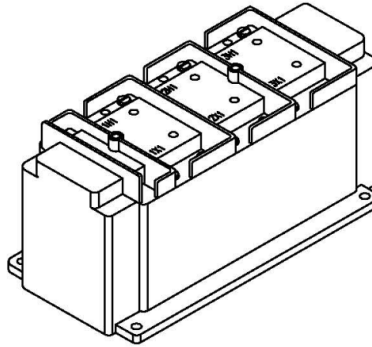
**THERMAL RATING: (Per Phase)**

150 VA at 30°C amb.

100 VA at 55°C. amb.

**APPROXIMATE WEIGHT:**

24 lbs.



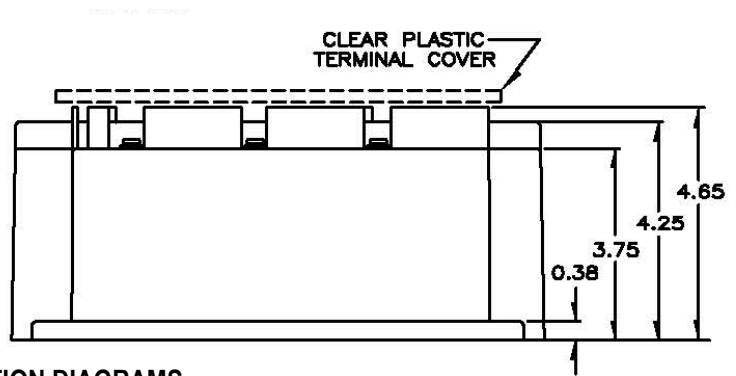
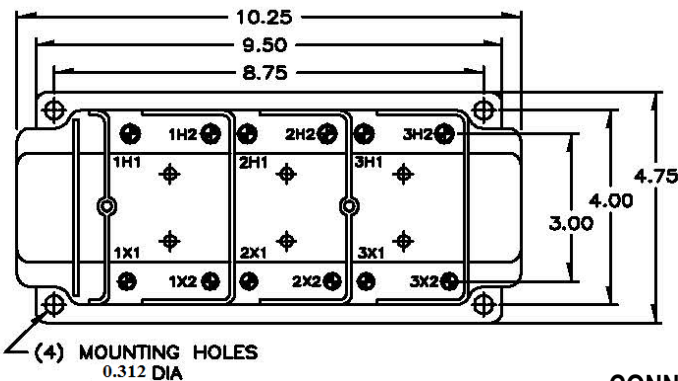
**CERTIFICATIONS:**



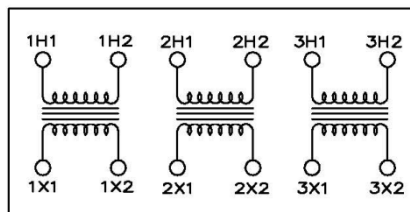
- The model 3VTL460 is an assembly of three transformers in one case.
- The primary and secondary terminals are No. 8-32 screws into 1/2" deep brass inserts fitted with one lockwasher and flat washer.
- The core and coil assembly is encased in a thermoplastic shell and filled with resin.
- These transformers are designed for operation line to line. All terminals are accessible.
- Spacing between live parts per U.L. 1558.
- The transformer has a clear plastic terminal cover.

**MODEL 3VTL460**  
Approximate weight: 24 lbs.

CATALOG NUMBER	LINE TO LINE VOLTAGE RATING	TURNS RATIO	REC. PRIMARY FUSE RATING
3VTL460-120	120:120	1:1	4.0
3VTL460-208	208:120	1.73:1	2.0
3VTL460-240	240:120	2:1	2.0
3VTL460-288	288:120	2.4:1	1.5
3VTL460-480	480:120	4:1	1.0
3VTL460-600	600:120	5:1	0.75



**CONNECTION DIAGRAMS**



Products are manufactured in a plant whose quality management system is certified / registered as being in conformity with ISO 9001