



# Current Transformer

## Model 189

**APPLICATION:**

Ammeters and watt meters

**FREQUENCY:**

50-400 Hz.

**INSULATION LEVEL:**

600 Volts. 10 kV BIL. full wave

**WINDOW DIAMETER:**

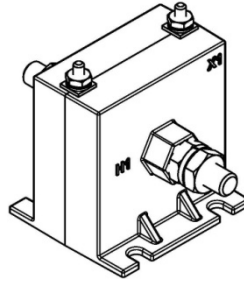
Wound Primary

**APPROXIMATE WEIGHT:**

0.75 lbs.

**CONNECTIONS:**

Primary terminals for the Model 189 for ratios of 30:5 and below are No. 10-32 brass screws with one lockwasher (Dimension A=3.28), for ratios 40:5 and above, 3/8-16 brass studs with one lockwasher and regular nut (Dimension A=4.10)



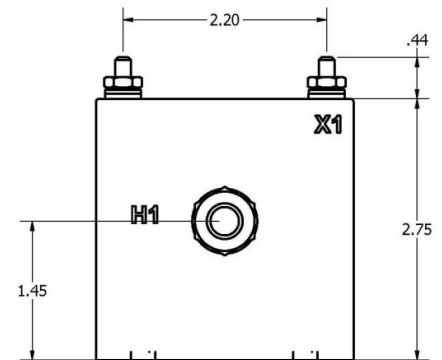
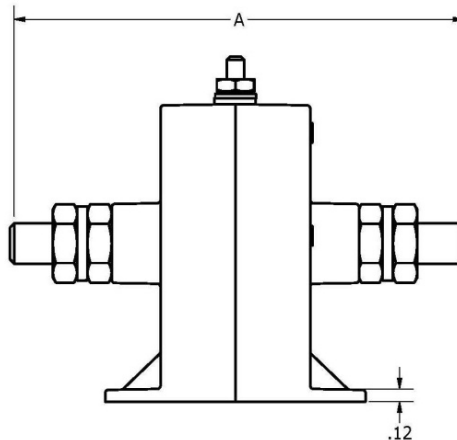
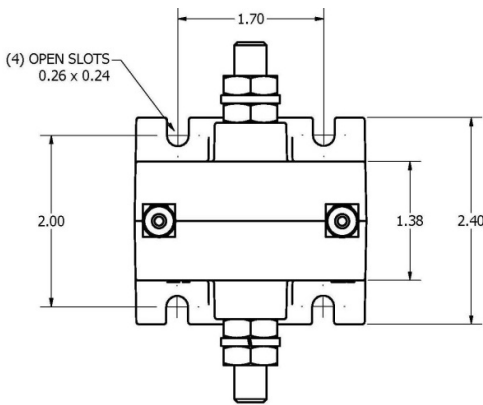
**CERTIFICATIONS:**



Model	189
Window Size	Wound Primary
Width	2.70
Height	2.75
Depth	2.40

**MODEL 189**  
Wound Primary  
Approximate weight: 0.75 lbs.

CATALOG NUMBER	CURRENT RATIO	ANSI METERING CLASS AT 60 HZ	
		B0.1	B0.2
189-0025	2.5:5	0.6	0.6
189-005	5:5	0.6	0.6
189-0075	7.5:5	0.6	0.6
189-010	10:5	0.6	0.6
189-015	15:5	0.6	0.6
189-020	20:5	0.6	0.6
189-025	25:5	0.6	0.6
189-030	30:5	0.6	0.6
189-040	40:5	0.6	0.6
189-050	50:5	0.6	0.6
189-060	60:5	0.6	0.6
189-075	75:5	0.6	0.6
189-080	80:5	0.6	0.6
189-101	100:5	0.6	0.6





## Current Transformer

**Model 189**

Products are manufactured in a plant whose quality management system is certified / registered as being in conformity with ISO 9001