



Current Transformer

Model 180

APPLICATION:

Metering

FREQUENCY:

50-400 Hz.

INSULATION LEVEL:

600 Volts. 10 kV BIL. full wave

WINDOW DIAMETER:

2.50"

CONNECTIONS:

- Non-standard lead length can be specified.
- Mounting bracket -59-0225
- Flexible leads are UL 1015 105° C CSA approved, #16 AWG, 24" long
- Terminals are brass studs No. 8-32 UNC with one flat washer, lockwasher, and regular nut

APPROXIMATE WEIGHT:

3 lbs.



180SHT



180RL

CERTIFICATIONS:

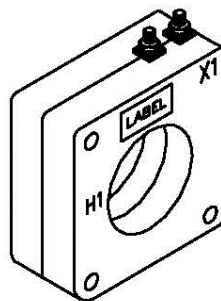


237637

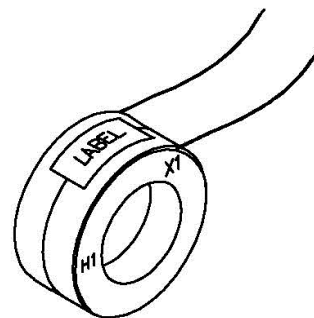
Model	180SHT	180RL
Window Size	2.50	2.50
Width	4.50	4.50
Height	4.50	4.50
Depth	2.19	2.19

MODEL 180
Window Diameter 2.50"
Approximate weight: 3 lbs.

CATALOG NUMBER	CURRENT RATIO	V.A. FOR + 1% CLASS	ANSI METERING CLASS AT 60 HZ					SECONDARY WINDING RESISTANCE (OHMS @ 75°C)	CONTINUOUS THERMAL RATING FACTOR	
			B0.1	B0.2	B0.5	B0.9	B1.8		@ 30°C	@ 55°C
180 **---500	50:5	1.5	2.4	-	-	-	-	0.009	1.33	1
180 **---750	75:5	2.5	1.2	2.4	-	-	-	0.018	1.33	1
180 **---101	100:5	2.5	1.2	2.4	4.8	-	-	0.021	1.33	1
180 **---151	150:5	5	0.6	1.2	2.4	4.8	-	0.038	1.33	1
180 **---201	200:5	12.5	0.6	0.6	1.2	2.4	-	0.051	1.33	1
180 **---251	250:5	12.5	0.3	0.3	0.6	1.2	-	0.064	1.33	1
180 **---301	300:5	25	0.3	0.3	0.6	1.2	2.4	0.076	1.33	1
180 **---401	400:5	50	0.3	0.3	0.3	0.6	1.2	0.102	1.33	1
180 **---501	500:5	50	0.3	0.3	0.3	0.6	1.2	0.148	1.33	1
180 **---601	600:5	50	0.3	0.3	0.3	0.6	1.2	0.177	1.33	1
180 **---751	750:5	50	0.3	0.3	0.3	0.6	1.2	0.174	1.33	1
180 **---801	800:5	75	0.3	0.3	0.3	0.6	1.2	0.202	1.33	1
180 **---102	1000:5	100	0.3	0.3	0.3	0.3	0.6	0.253	1.33	1
180 **---122	1200:5	125	0.3	0.3	0.3	0.3	0.3	0.303	1.33	1
180 **---152	1500:5	160	0.3	0.3	0.3	0.3	0.3	0.307	1.33	1
180 **---162	1600:5	175	0.3	0.3	0.3	0.3	0.3	0.359	1.25	1
180 **---202	2000:5	200	0.3	0.3	0.3	0.3	0.3	0.449	1.00	0.75



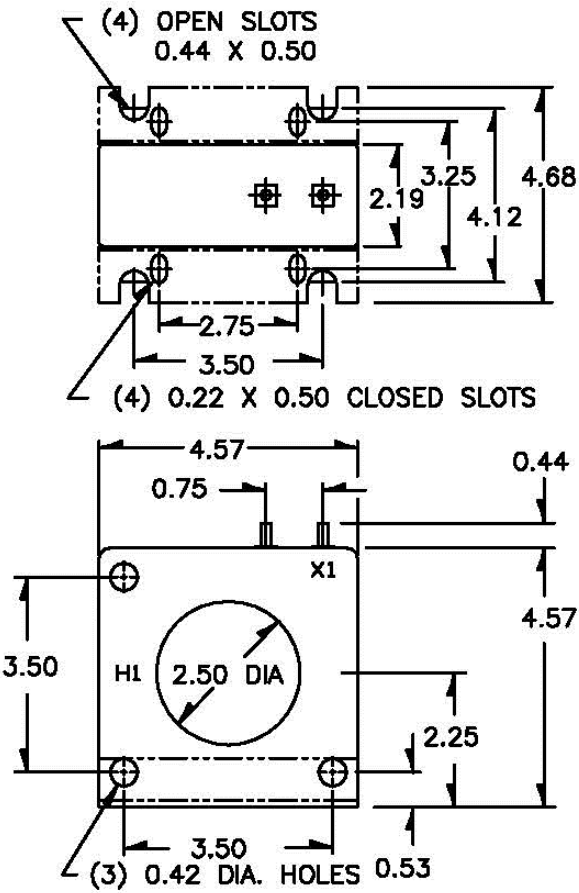
180SHT



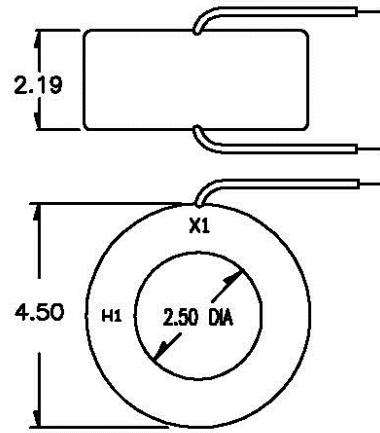
180RL

Products are manufactured in a plant whose quality management system is certified / registered as being in conformity with ISO 9001

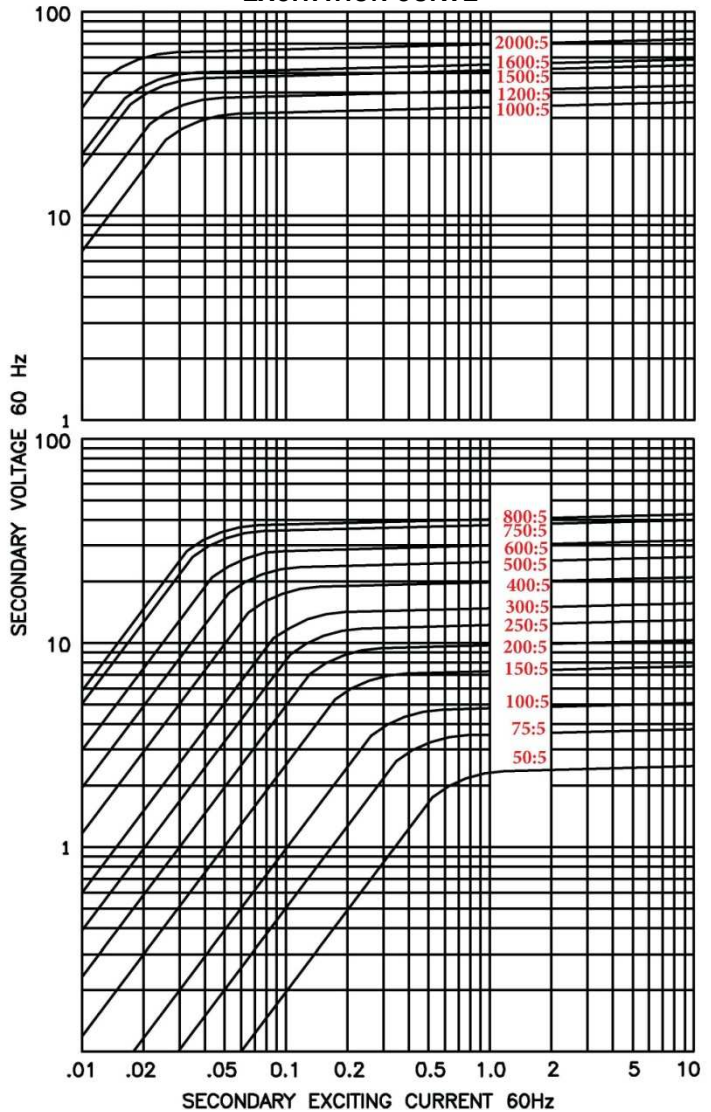
180SHT



180RL



EXCITATION CURVE



Model 180