



# Current Transformer

**Model 143MR**

**APPLICATION:**

Relaying and metering.

**FREQUENCY:**

50-400 Hz.

**INSULATION LEVEL:**

600 Volts. 10 kV BIL. full wave

**WINDOW DIAMETER:**

7.31"

**APPROXIMATE WEIGHT:**

60 lbs.

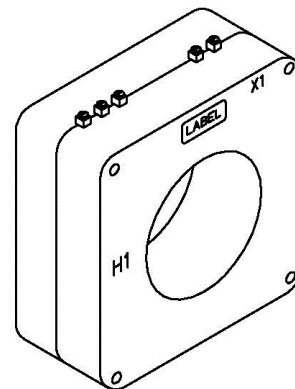
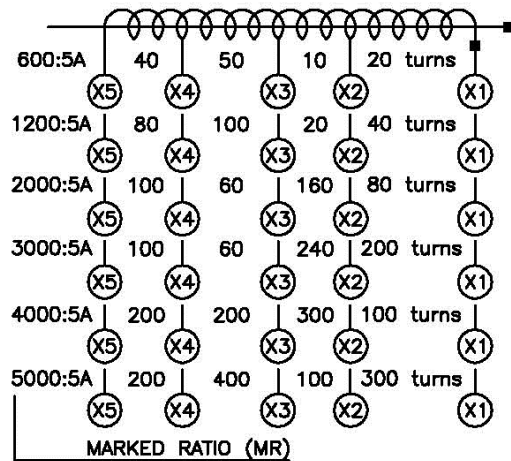
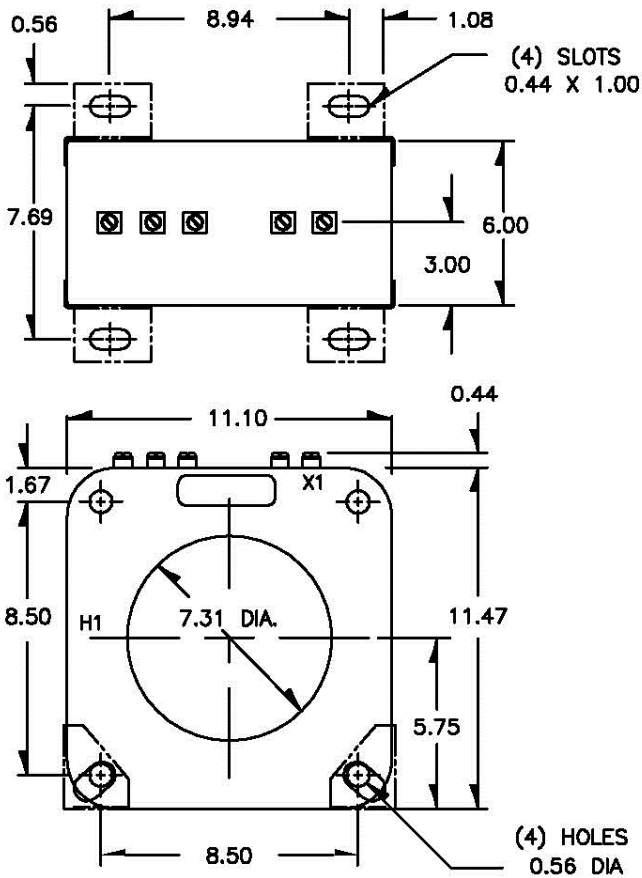
**CONNECTIONS:**

- Terminals are brass studs No. 10-32 UNF with one flat washer, lockwasher, and regular nut
- Mounting kit – 59-0215 (CR) and 59-0216 (CL)

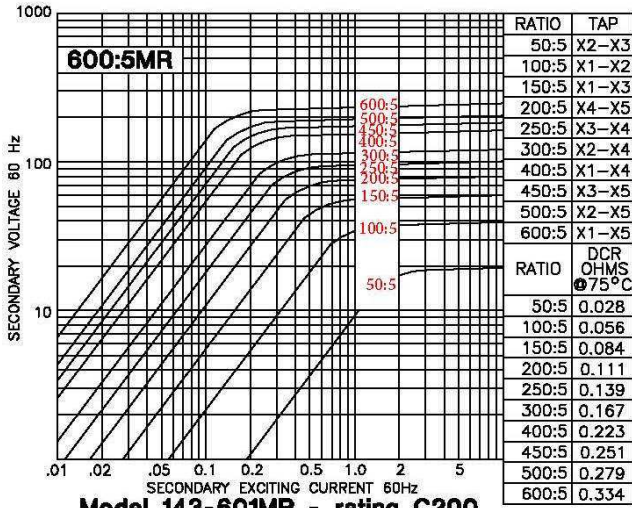


<b>Model</b>	<b>143MR</b>
<b>Window Size</b>	<b>7.31</b>
<b>Width</b>	<b>11.10</b>
<b>Height</b>	<b>11.47</b>
<b>Depth</b>	<b>6.00</b>

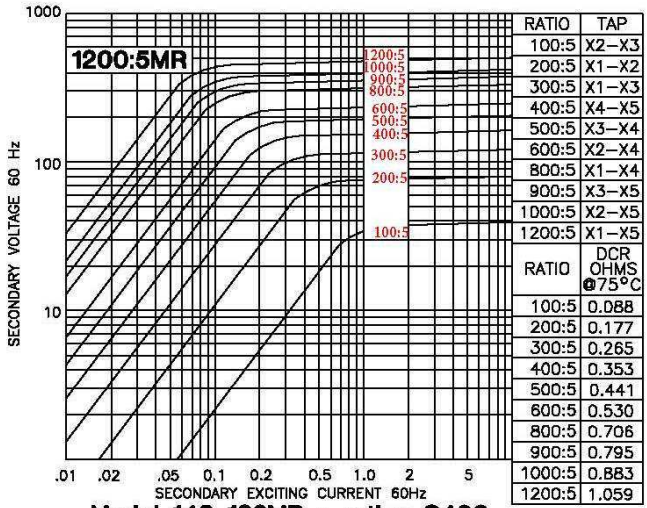
**CERTIFICATIONS:**



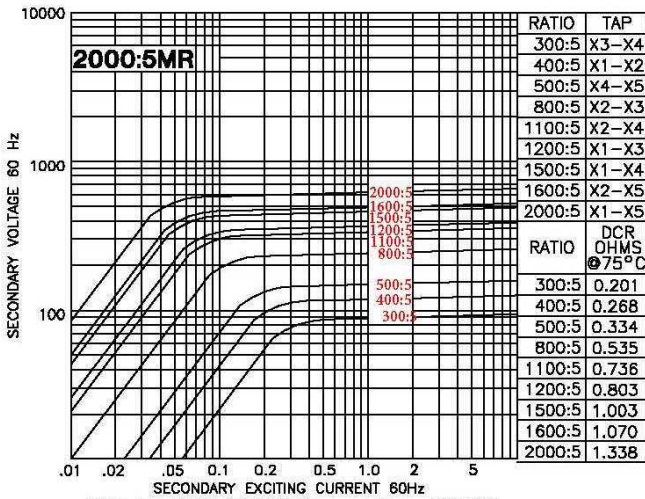
## EXCITATION CURVE



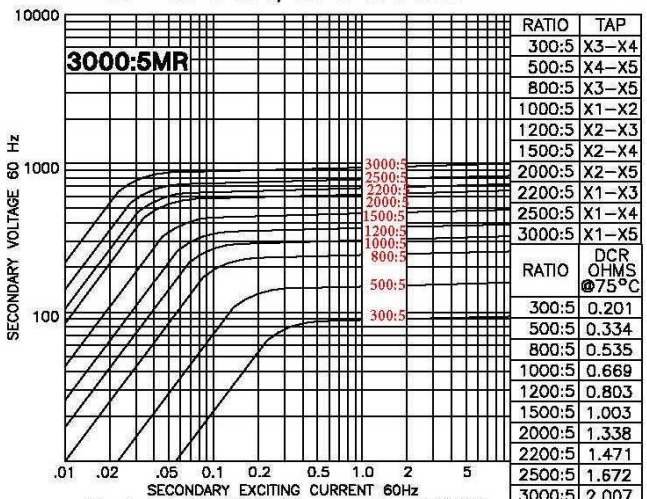
**Model 143-601MR - rating C200**  
TRF= 2.0 @ 30°C, 1.5 @ 55°C amb.



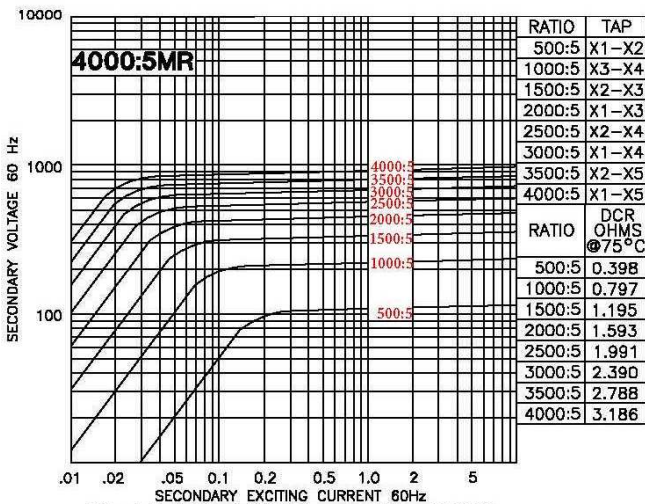
**Model 143-122MR - rating C400**  
TRF= 1.5 @ 30°C, 1.0 @ 55°C amb.



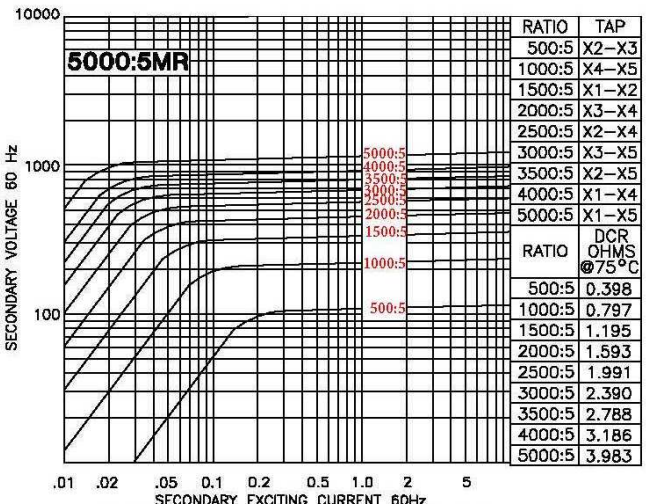
**Model 143-202MR - rating C400**  
TRF= 1.33 @ 30°C, 1.0 @ 55°C amb.



**Model 143-302MR - rating C800**  
TRF= 1.0 @ 30°C, 0.8 @ 55°C amb.



**Model 143-402MR - rating C800**  
TRF= 1.0 @ 30°C, 0.6 @ 55°C amb.



**Model 143-502MR - rating C800**  
TRF= 1.0 @ 30°C, 0.6 @ 55°C amb.