



Current Transformer

Model 143

APPLICATION:

Relaying and metering.

FREQUENCY:

50-400 Hz.

INSULATION LEVEL:

600 Volts. 10 kV BIL. full wave

WINDOW DIAMETER:

7.31"

APPROXIMATE WEIGHT:

60 lbs.

CONNECTIONS:

- Terminals are brass connections No. 10-32 UNF with one flat washer, lockwasher, and regular nut
- Multi-ratios available upon request
- Mounting kit – 59-0215 (CR) and 59-0216 (CL)



Model	143
Window Size	7.31
Width	11.10
Height	11.47
Depth	6.00

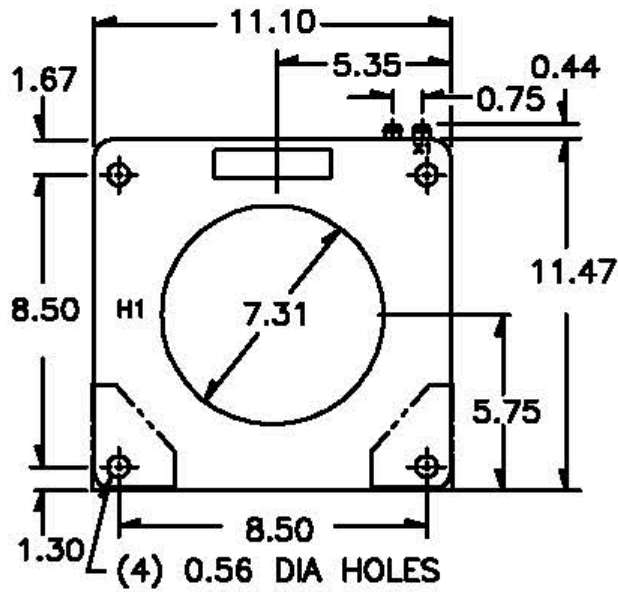
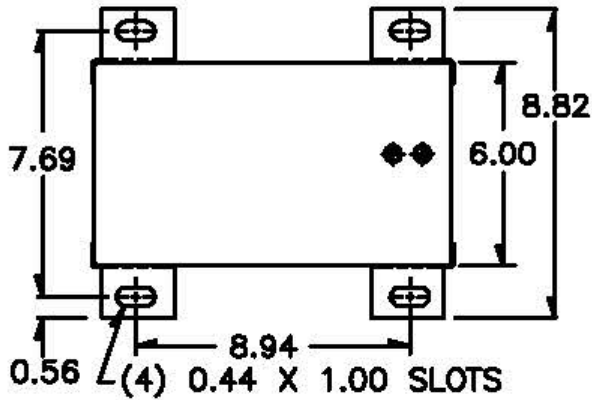
CERTIFICATIONS:



MODEL 143
Window Diameter 7.31"
Approximate weight: 60 lbs.

CATALOG NUMBER	CURRENT RATIO	RELAY CLASS	ANSI METERING CLASS AT 60 HZ					SECONDARY WINDING RESISTANCE (OHMS @ 75°C)	CONTINUOUS THERMAL RATING FACTOR	
			B0.1	B0.2	B0.5	B0.9	B1.8		@ 30°C	@ 55°C
143 – 500	50:5	C20	4.8	4.8	-	-	-	0.014	2	2
143 – 750	75:5	C20	2.4	2.4	-	-	-	0.042	2	2
143 – 101	100:5	C20	1.2	2.4	4.8	-	-	0.056	2	2
143 – 151	150:5	C20	0.6	0.6	1.2	4.8	4.8	0.121	2	2
143 – 201	200:5	C50	0.3	0.3	0.6	2.4	2.4	0.161	2	2
143 – 251	250:5	C50	0.3	0.3	0.6	1.2	2.4	0.175	2	2
143 – 301	300:5	C100	0.3	0.3	0.3	1.2	1.2	0.241	2	2
143 – 401	400:5	C100	0.3	0.3	0.3	0.6	0.6	0.322	2	2
143 – 501	500:5	C100	0.3	0.3	0.3	0.3	0.6	0.441	2	2
143 – 601	600:5	C200	0.3	0.3	0.3	0.3	0.3	0.530	2	1.5
143 – 751	750:5	C200	0.3	0.3	0.3	0.3	0.3	0.662	2	1.5
143 – 801	800:5	C200	0.3	0.3	0.3	0.3	0.3	0.706	2	1.5
143 – 102	1000:5	C200	0.3	0.3	0.3	0.3	0.3	0.883	1.5	1.33
143 – 122	1200:5	C400	0.3	0.3	0.3	0.3	0.3	1.059	1.5	1
143 – 152	1500:5	C400	0.3	0.3	0.3	0.3	0.3	1.324	1.5	1
143 – 162	1600:5	C400	0.3	0.3	0.3	0.3	0.3	1.413	1.33	1
143 – 202	2000:5	C400	0.3	0.3	0.3	0.3	0.3	1.678	1.33	1
143 – 252	2500:5	C400	0.3	0.3	0.3	0.3	0.3	2.097	1	0.8
143 – 302	3000:5	C800	0.3	0.3	0.3	0.3	0.3	2.516	1	0.8
143 – 322	3200:5	C800	0.3	0.3	0.3	0.3	0.3	2.684	1	0.8
143 – 352	3500:5	C800	0.3	0.3	0.3	0.3	0.3	2.936	1	0.8
143 – 402	4000:5	C800	0.3	0.3	0.3	0.3	0.3	3.353	1	0.6
143 – 502	5000:5	C800	0.3	0.3	0.3	0.3	0.3	3.983	1	0.6
143 – 602	6000:5	C800	0.3	0.3	0.3	0.3	0.3	4.780	0.8	0.6

Products are manufactured in a plant whose quality management system is certified / registered as being in conformity with ISO 9001



EXCITATION CURVE

