



Current Transformer

Model 142

APPLICATION:

Relaying and metering.

FREQUENCY:

50-400 Hz.

INSULATION LEVEL:

600 Volts. 10 kV BIL. full wave

WINDOW DIAMETER:

7.25"

APPROXIMATE WEIGHT:

31 lbs.

CONNECTIONS:

- Terminals are brass connections No. 10-32 UNF with one flat washer, lockwasher, and regular nut
- Multi-ratios available upon request
- Mounting Kit – 59-0215 (CR) and 59-0216 (CL)



CERTIFICATIONS:

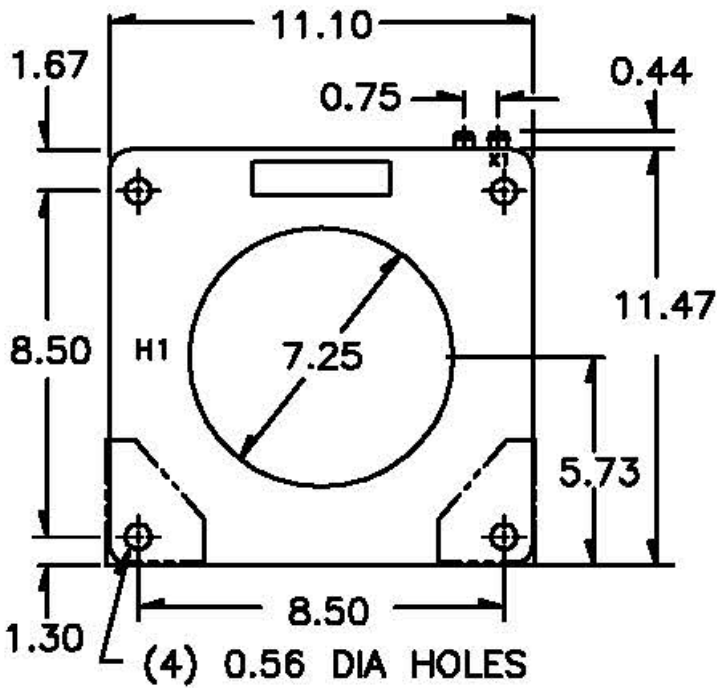
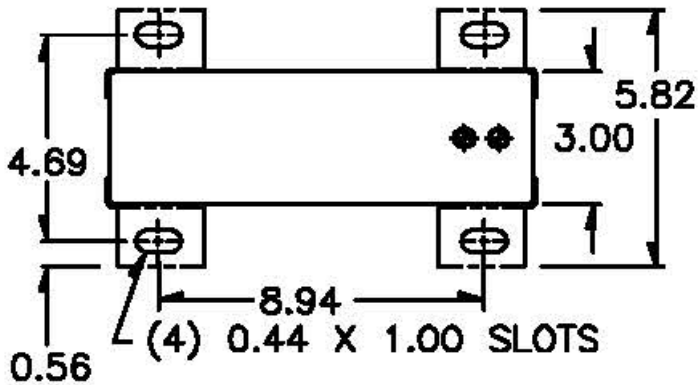


Model	142
Window Size	7.25
Width	11.10
Height	11.47
Depth	3.00

MODEL 142
Window Diameter 7.25"
 Approximate weight: 31 lbs.

CATALOG NUMBER	CURRENT RATIO	RELAY CLASS	ANSI METERING CLASS AT 60 HZ					SECONDARY WINDING RESISTANCE (OHMS @ 75°C)	CONTINUOUS THERMAL RATING FACTOR	
			B0.1	B0.2	B0.5	B0.9	B1.8		@ 30°C	@ 55°C
142 – 500	50:5	-	-	-	-	-	-	0.031	2	2
142 – 750	75:5	-	2.4	4.8	-	-	-	0.035	2	2
142 – 101	100:5	C10	1.2	2.4	4.8	-	-	0.051	2	2
142 – 151	150:5	C10	1.2	1.2	2.4	4.8	-	0.070	2	2
142 – 201	200:5	C20	0.6	0.6	1.2	2.4	4.8	0.102	2	2
142 – 251	250:5	C20	0.6	0.6	1.2	1.2	2.4	0.127	2	2
142 – 301	300:5	C30	0.3	0.3	0.6	1.2	2.4	0.153	2	2
142 – 401	400:5	C50	0.3	0.3	0.3	0.6	1.2	0.196	2	2
142 – 501	500:5	C50	0.3	0.3	0.3	0.6	0.6	0.252	2	2
142 – 601	600:5	C50	0.3	0.3	0.3	0.3	0.6	0.255	2	2
142 – 751	750:5	C100	0.3	0.3	0.3	0.3	0.3	0.304	2	1.5
142 – 801	800:5	C100	0.3	0.3	0.3	0.3	0.3	0.336	2	1.5
142 – 102	1000:5	C100	0.3	0.3	0.3	0.3	0.3	0.486	2	1.5
142 – 122	1200:5	C100	0.3	0.3	0.3	0.3	0.3	0.735	1.5	1
142 – 152	1500:5	C200	0.3	0.3	0.3	0.3	0.3	0.918	1.5	1
142 – 162	1600:5	C200	0.3	0.3	0.3	0.3	0.3	0.979	1.33	1
142 – 202	2000:5	C200	0.3	0.3	0.3	0.3	0.3	0.544	2	1.5
142 – 252	2500:5	C200	0.3	0.3	0.3	0.3	0.3	1.066	1.5	1
142 – 302	3000:5	C200	0.3	0.3	0.3	0.3	0.3	1.280	1	0.8
142 – 322	3200:5	C200	0.3	0.3	0.3	0.3	0.3	1.365	1	0.8
142 – 352	3500:5	C200	0.3	0.3	0.3	0.3	0.3	1.493	1	0.8
142 – 402	4000:5	C200	0.3	0.3	0.3	0.3	0.3	1.452	1	0.8
142 – 502	5000:5	C200	0.3	0.3	0.3	0.3	0.3	1.915	1	0.8
142 – 602	6000:5	C200	0.3	0.3	0.3	0.3	0.3	2.298	1	0.6

Products are manufactured in a plant whose quality management system is certified / registered as being in conformity with ISO 9001



EXCITATION CURVE

