



# Current Transformer

## Model 141MR

**APPLICATION:**

Relaying and metering.

**FREQUENCY:**

50-400 Hz.

**INSULATION LEVEL:**

600 Volts. 10 kV BIL. full wave

**WINDOW DIAMETER:**

8.13"

**APPROXIMATE WEIGHT:**

44 lbs.

**CONNECTIONS:**

-Terminals are brass studs No. 10-32 UNF with one flat washer, lockwasher, and regular nut.



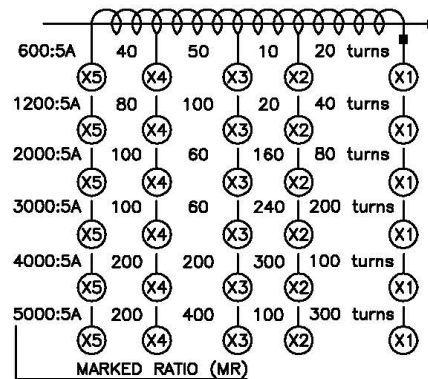
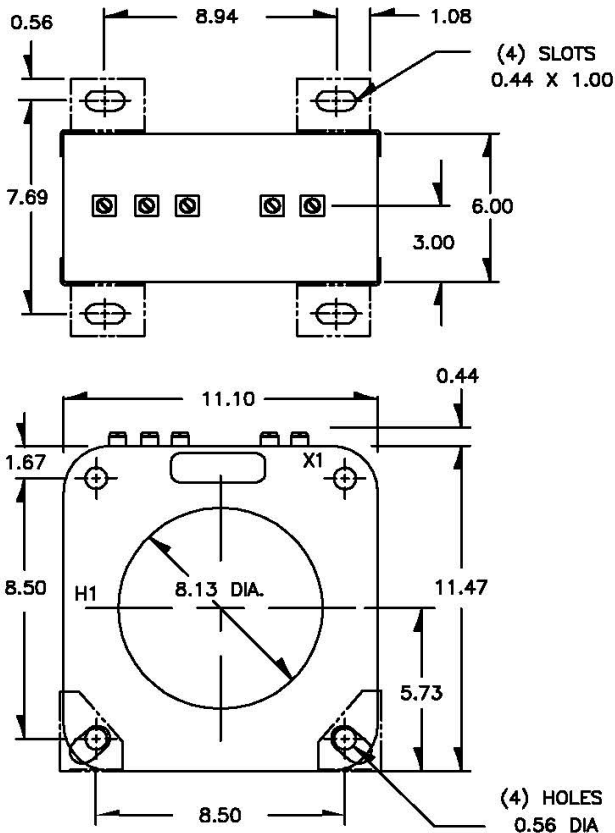
Model	141MR
Window Size	8.13
Width	11.10
Height	11.47
Depth	6.00

**CERTIFICATIONS:**



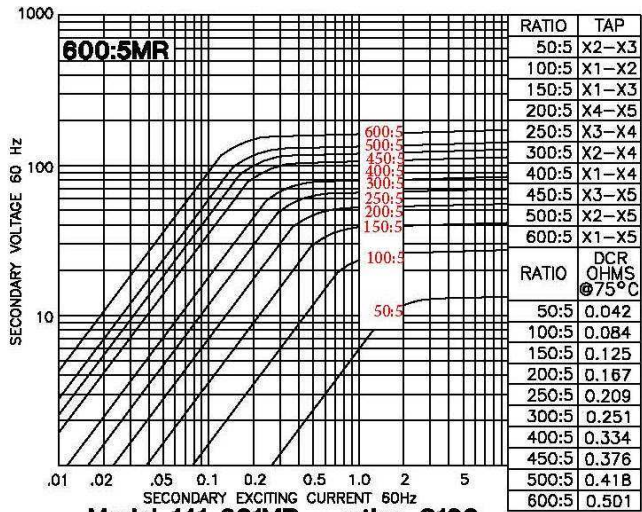
**MODEL 141MR**  
Window Diameter 8.13"  
Approximate weight: 44 lbs.

Catalog Number	Relay Class	Continuous Thermal	
		@ 30°C	@ 50°C
141-601MR	C100	2.0	1.5
141-122MR	C200	2.0	1.5
141-202MR	C400	1.33	1.0
141-302MR	C400	1.5	1.33
141-402MR	C400	1.0	0.8
141-502MR	C200	1.0	0.8

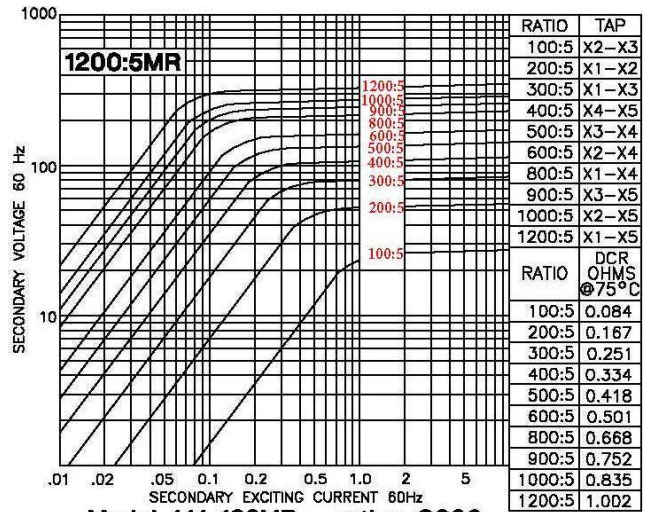


Products are manufactured in a plant whose quality management system is certified / registered as being in conformity with ISO 9001

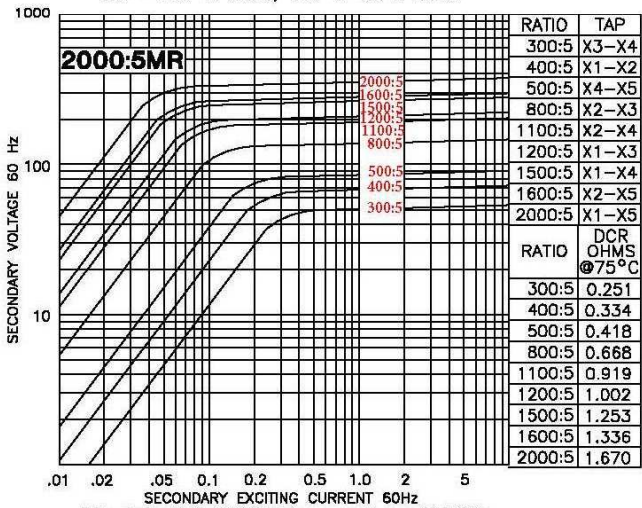
## EXCITATION CURVE



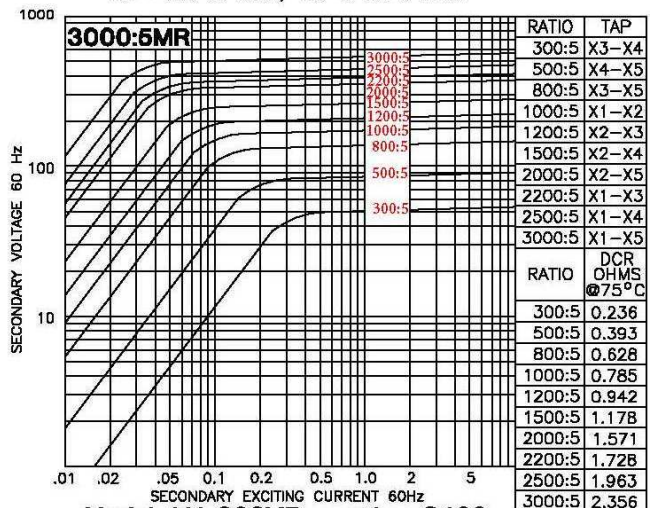
**Model 141-601MR - rating C100**  
TRF= 2.0 @ 30°C, 1.5 @ 55°C amb.



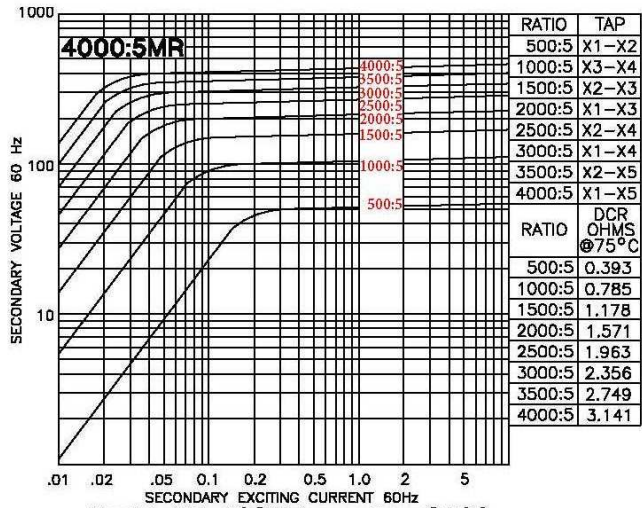
**Model 141-122MR - rating C200**  
TRF= 2.0 @ 30°C, 1.5 @ 55°C amb.



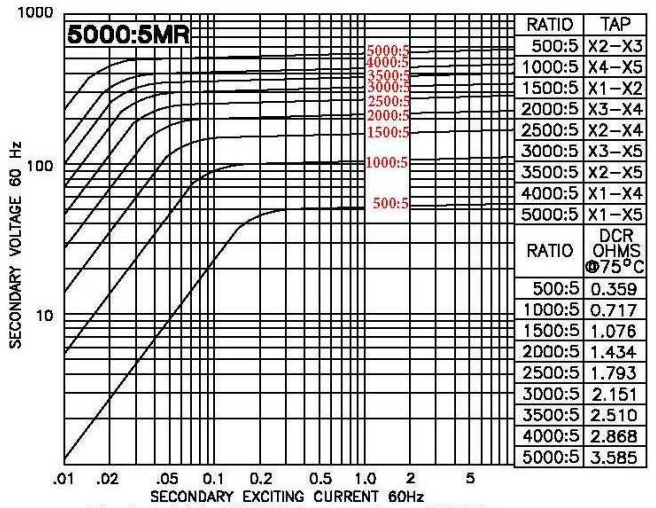
**Model 141-202MR - rating C400**  
TRF= 1.33 @ 30°C, 1.0 @ 55°C amb.



**Model 141-302MR - rating C400**  
TRF= 1.5 @ 30°C, 1.33 @ 55°C amb.



**Model 141-402MR - rating C400**  
TRF= 1.0 @ 30°C, 0.8 @ 55°C amb.



**Model 141-502MR - rating C200**  
TRF= 1.0 @ 30°C, 0.8 @ 55°C amb.