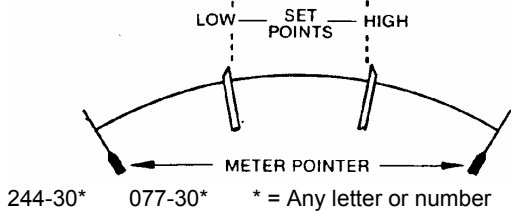


Products Covered

LOW RELAY	2	3	1	2	3	1	2	3	1
	8	7	9	8	7	9	8	7	9



Relay contact positions with input signal in zone indicated by meter pointer.

Electromagnetic Compatibility (EMC) Installation Requirements

This product range has been designed to meet the certification requirements of the EU Directives when installed to a good code of practice for EMC in industrial environments. e.g.

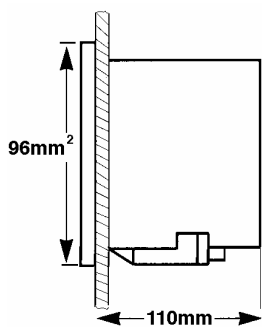
1. Screen output and low signal input leads. In the event of RF fields causing problems where screened leads can not be used, provision for fitting RF suppression components, such as ferrite absorbers, line filters etc., must be made. N.B. It is good practice to install sensitive electronic instruments that are performing critical functions, in EMC enclosures that protect against electrical interference causing a disturbance in function.
2. Avoid routing leads alongside cables and products that are, or could be, a source of interference.
3. To protect the product against permanent damage, surge transients must be limited to 2kV pk.
4. Electro Static Discharge (ESD) precautions must be taken at all times when handling this product.

For assistance on protection requirements please contact your local sales office.

Dimensions Model 244-30*

Dimensions in mm

Panel Cut-out 92mm²
maximum panel thickness 10mm



**Analogue Meter Relays
Switchboard 077 Series &
DIN Panel Mounted 244 Series**

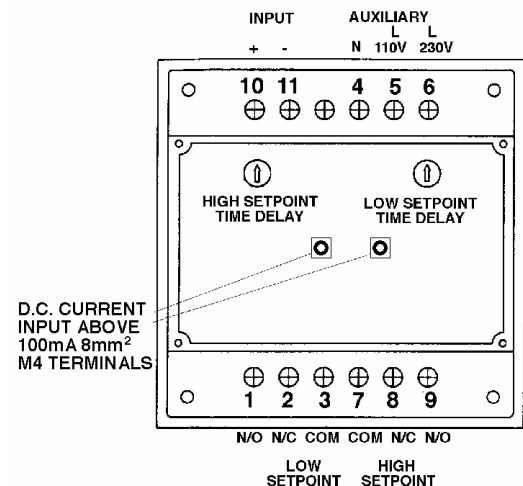
Installation

Units should be mounted in a reasonably stable ambient temperature within the range 0 to 60°C. The units should not be mounted where they will be subjected to excessive sunlight and vibration should be kept to a minimum. Connection wires should be sized to comply with local regulations and preferably should be fitted with tags for the terminals provided. Labels are fixed to the units and carry connection-input information. The fitting of external fuses is recommended since there are no internal fuses.

Maintenance

All units are fully calibrated before despatch and therefore no adjustments are required. During routine servicing and inspection of equipment the unit should be inspected to normal standards for this class of equipment. For example remove accumulations of dust and check connections for tightness and corrosion. In the event of a fault occurring and repair being necessary, it is recommended that the instruments be returned the factory or to the nearest Crompton Instruments Sales and Service Centre.

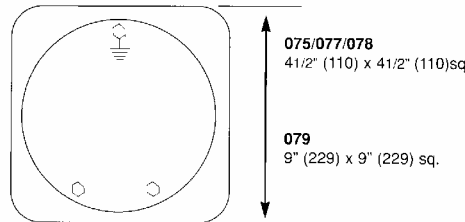
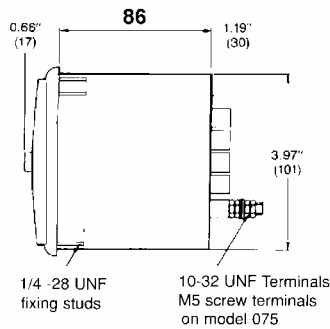
Connection Diagram Model 244-30*



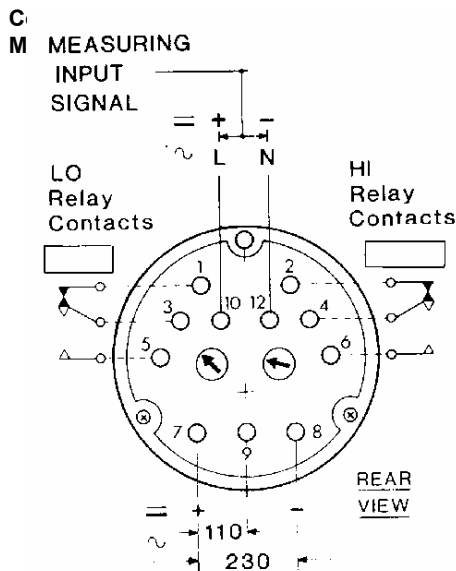
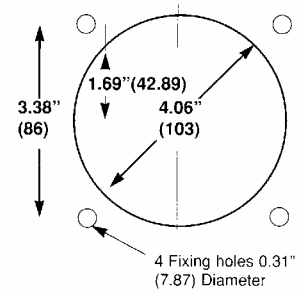
INSTALLATION INSTRUCTIONS

Analogue Meter Relays Switchboard 077 Series & DIN Panel Mounted 244 Series

Dimensions Model 077-30*



Panel Cut-Out



LOW VOLTAGE DIRECTIVE:- This product complies with BSEN61010-1

WARNING

Voltages dangerous to human life may be present at some of the terminals of this unit. Ensure all supplies are de-energised before attempting any connection/disconnection. If it is necessary to make adjustments with the power connected then exercise extreme caution.

This product is manufactured by Crompton Instruments Limited, Freebournes Road, Witham, Essex, England. CM8 3AH. Telephone +44 (0) 1376 509509, Fax: +44 (0) 1376 509511.

The Information contained in these installation instructions is for use only by installers trained to make electrical power installations and is intended to describe the correct method of installation for this product. However, Tyco Electronics has no control over the field conditions, which influence product installation. It is the user's responsibility to determine the suitability of the installation method in the user's field conditions. Tyco Electronics' only obligations are those in Tyco Electronics' standard Conditions of Sale for this product and in no case will Tyco Electronics be liable for any other incidental, indirect or consequential damages arising from the use or misuse of the products. Crompton is a trademark.



Tyco Electronics UK Limited
Crompton Instruments

Freebournes Road, Witham, Essex, CM8 3AH, UK
Phone: +44 1376 509 509 Fax: +44 1376 509 511

<http://energy.tycoelectronics.com>