

**Analogue Instruments
ANSI Switchboard Meters 070 Series**

Products Covered

077-DI* 077-DP* 077-DW*
077-DX* 077-DZ* 077KH

* any letter or number

Installation

The product should be panel mounted using the four 1/4" - 28 UNF STUDS and NUTS. Maximum panel thickness 12mm.

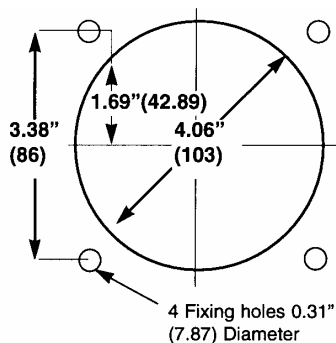
Consideration should be given to the space required behind the unit to allow for bends in the connecting cables. Additional protection to the panel may be obtained by the use of an optional gasket. The terminals at the rear of the case should be protected from liquids. Units should be mounted in a reasonably stable ambient temperature and within the range 0-60°C. The unit should not be mounted where it is subjected to excessive direct sunlight, and vibration should be kept to a minimum. Connection wires should be sized to comply to local regulations and should be terminated in tag suitable for the screw connection information and data including type number, input, current, frequency and supply as appropriate. These products do not have internal fuses therefore external fuses **must** be used for safety protection under fault conditions.

Electromagnetic Compatibility (EMC) Installation Requirements

This product range has been designed to meet the certification requirements of the EU Directives when installed to a good code of practice for EMC in industrial environments. e.g:-

1. Screen output and low signal input leads. In the event of RF fields causing problems where screened leads can not be used, provision for fitting RF suppression components, such as ferrite absorbers, line filters etc., must be made. N.B. It is good practice to install sensitive electronic instruments that are performing critical functions, in EMC enclosures that protect against electrical interference causing a disturbance in function.
2. Avoid routing leads alongside cables and products that are, or could be, a source of interference.
3. To protect the product against permanent damage, surge transients must be limited to 2kV pk.
4. Electro Static Discharge (ESD) precautions must be taken at all times when handling this product.

Panel Cutout



Setting Up And Maintenance

Units are adjusted before despatch and therefore no adjustments are required. During routine servicing and inspection of the associated equipment the unit should be inspected to normal standards for this class of equipment, for example remove accumulations and corrosion.

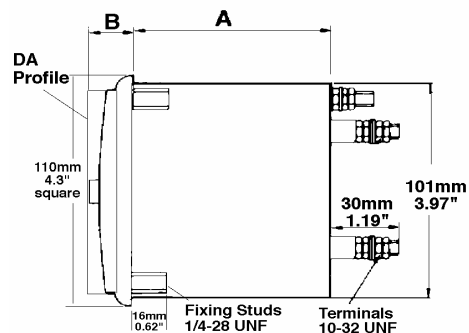
In the unlikely event of a repair being necessary it is recommended that the unit be returned to the factory or to the nearest Crompton Instruments Service Centre, (details are on page 2). Should repair be attempted then replacement components must be of the same type, rating and tolerance as those used in the original circuit. It is important that should calibration be deemed necessary, say after repair, then this should only be attempted if the required high accuracy equipment is available, with any enquiry please quote the full model number found on the nameplate. The unit must be recalibrated after repair.

Low Voltage Directive: This product complies with BSEN61010-1

Warning

Voltages dangerous to human life may be present at some of the terminals of this unit. Ensure all supplies are de-energised before attempting any connection/disconnection. If it is necessary to make adjustments with the power connected then exercise extreme caution. This product is manufactured by Crompton Instruments, Freebournes Road, Witham, Essex. England. CM8 3AH. Telephone +44 (0) 1376 509509, Fax: +44 (0) 1376 509511

MODEL	A	B
077-DI	86	17
Others	132	17

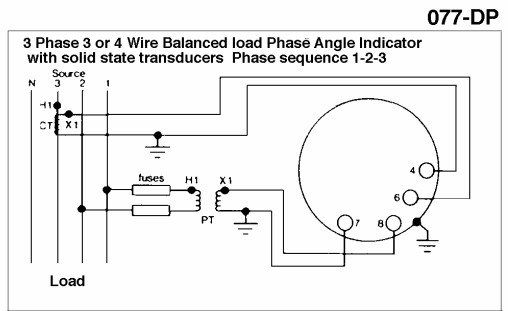
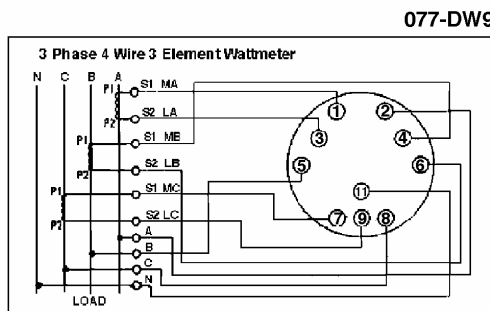
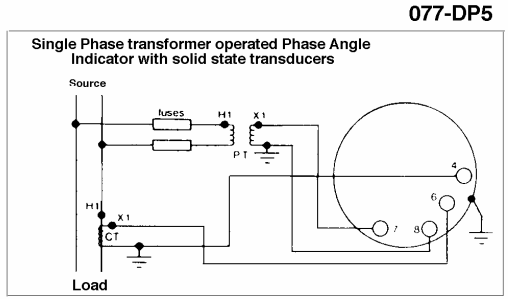
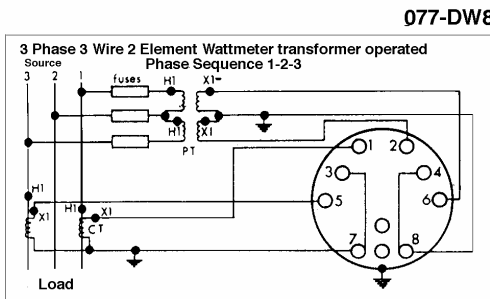
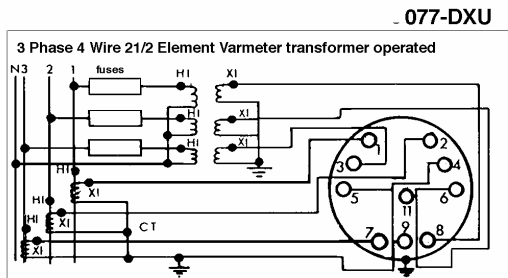
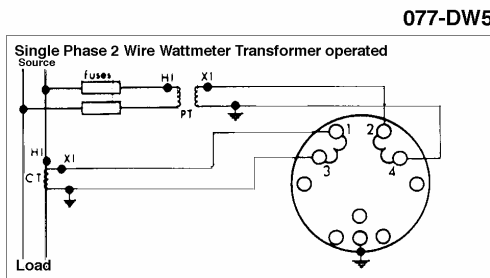
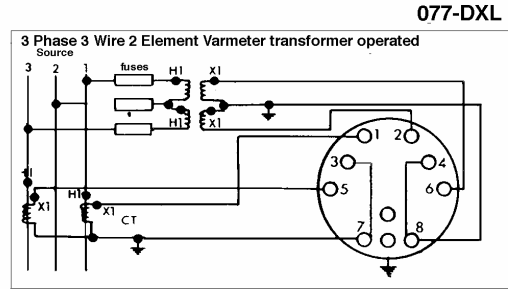
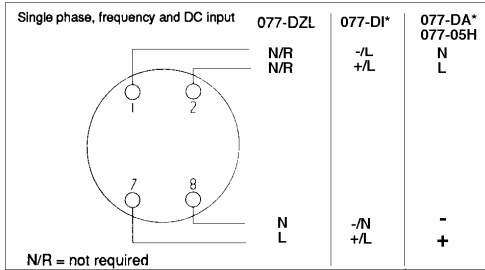


INSTALLATION INSTRUCTIONS

Analogue Instruments ANSI Switchboard Meter 070 Series

Dimensions

* Indicates any letter or number



* Ground / Earth via fixing stud

The Information contained in these installation instructions is for use only by installers trained to make electrical power installations and is intended to describe the correct method of installation for this product. However, Tyco Electronics has no control over the field conditions, which influence product installation. It is the user's responsibility to determine the suitability of the installation method in the user's field conditions. Tyco Electronics' only obligations are those in Tyco Electronics' standard Conditions of Sale for this product and in no case will Tyco Electronics be liable for any other incidental, indirect or consequential damages arising from the use or misuse of the products. Crompton is a trade mark.



Tyco Electronics UK Limited
Crompton Instruments

Freebournes Road, Witham, Essex, CM8 3AH, UK
Phone: +44 1376 509 509 Fax: +44 1376 509 511

<http://energy.tycoelectronics.com>