

CURRENT TRANSFORMER

Model 188

Auxiliary Transformer

Application:

For use in the secondary of current transformers to change ratio for metering applications.

Frequency:

50 - 400 Hz

Continuous Thermal Current Rating Factor:

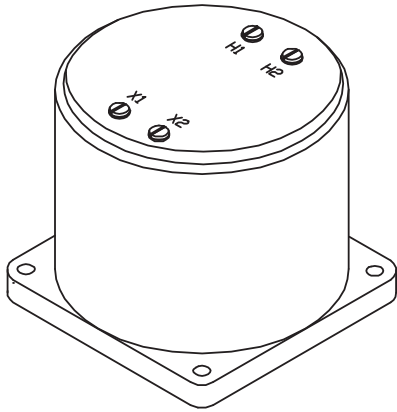
1.5 at 30°C amb., 1.0 at 55°C amb.

- Terminals are No. 10 - 32 brass binding head screws.

- Approximate weight: 10 lbs.



E228202

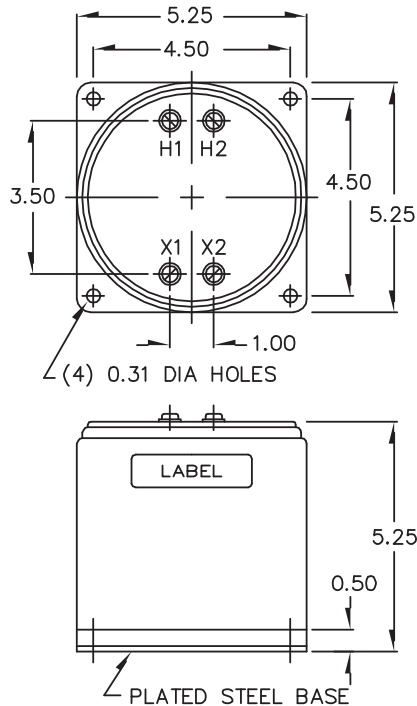


MODEL 188

ANSI Metering Class: 0.3 thru B0.2

The Model 188 is a low ratio auxiliary current transformer, suitable for primary currents up to 15 amperes. The table below lists the most common current ratings. The transformer core and coil are encapsulated in a polyurethane resin, which also secures the steel mounting base.

Since the Model 188 is used in the secondary of another transformer it has no voltage rating. It is given a 2500 volt 60 Hz high potential test. It is designed to be used on circuits not to exceed 600 volts to ground or between windings.



CATALOG NUMBER	CURRENT RATIO	CATALOG NUMBER	CURRENT RATIO
188X0100	5: 0.100	188X6250	5: 6.250
188X0200	5: 0.200	188X7500	5: 7.500
188X0250	5: 0.250	188X8000	5: 8.000
188X0500	5: 0.500	188X10000	5: 10.000
188X0625	5: 0.625	188X12500	5: 12.500
188X1000	5: 1.000	188X15000	5: 15.000
188X1250	5: 1.250	188X1500-5	1.500: 5
188X1667	5: 1.667	188X1667-5	1.667: 5
188X2000	5: 2.000	188X2500-5	2.500: 5
188X2395	5: 2.395	188X2875-5	2.875: 5
188X2500	5: 2.500	188X7500-5	7.500: 5
188X2890	5: 2.890	188X10000-5	10.000: 5
188X3000	5: 3.000	188X0500-1	0.500: 1
188X3330	5: 3.330	188X0923-1	0.923: 1
188X3750	5: 3.750	188X0400-10	0.400: 10
188X4000	5: 4.000	188XSUM-2 *	5+5: 5
188X5000	5: 5.000	188XSUM-4 *	5+5+5+5: 5
188X5330	5: 5.330	188XSUM-5 *	5+5+5+5+5: 5

* The circuits of up to six secondaries may be totalized. Equal or unequal line current transformers can be summed with this transformer. Advise the ratios of the line current transformers to be totalized. Output terminals are X1-X2.