

**Application:**

Relaying and metering

**Frequency:**

50 - 400Hz

**Insulation Level:**

600 Volts, 10kV BIL full wave

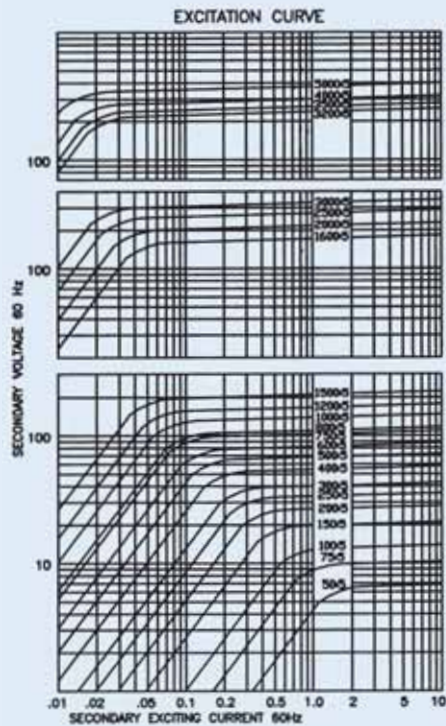
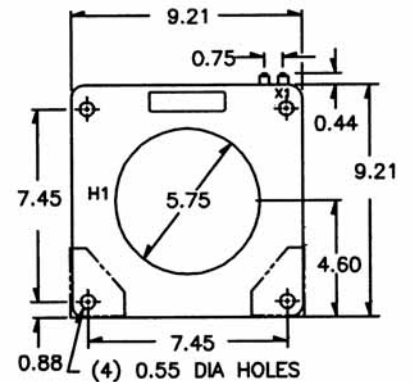
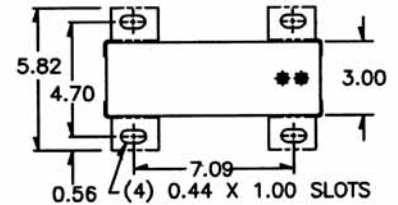
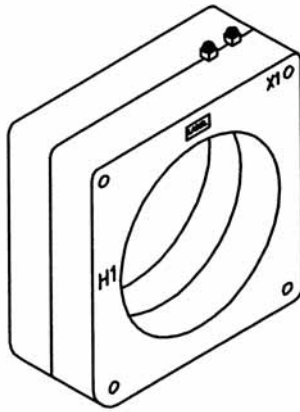
- Terminals are brass studs No. 10 - 32 with one flatwasher, lockwasher and regular nut
- Multi ratios available upon request
- Order mounting bracket kit separately
- Approximately weight: 18 lbs

Approvals



# Model 135

**Window Diameter 5.75"**



Catalogue Number	Current Ratio	Relay Class	ANSI metering class at 60Hz					Secondary winding resistance (OHMS @ 75 °C)	Continuous thermal rating factor	
			B0.1	B0.2	B0.5	B0.9	B1.8		@30 °C	@55 °C
120 - 201	200:5	-	1.2	1.2	2.4	4.8	4.8	0.053	2.0	2.0
135 - 500	50:5	-	4.8	-	-	-	-	0.015	2.0	2.0
135 - 750	75:5	-	2.4	4.8	-	-	-	0.027	2.0	2.0
135 - 101	100:5	-	1.2	2.4	4.8	-	-	0.036	2.0	2.0
135 - 151	150:5	C10	0.6	1.2	2.4	4.8	-	0.059	2.0	2.0
135 - 201	200:5*	C10	0.6	0.6	1.2	2.4	4.8	0.078	2.0	2.0
135 - 251	250:5*	C20	0.6	0.6	1.2	2.4	2.4	0.113	2.0	2.0
135 - 301	300:5*	C20	0.3	0.3	0.6	1.2	2.4	0.117	2.0	2.0
135 - 401	400:5*	C20	0.3	0.3	0.3	0.6	1.2	0.156	2.0	2.0
135 - 501	500:5*	C50	0.3	0.3	0.3	0.3	0.6	0.181	2.0	2.0
135 - 601	600:5*	C50	0.3	0.3	0.3	0.3	0.6	0.217	2.0	2.0
135 - 751	750:5*	C50	0.3	0.3	0.3	0.3	0.6	0.339	2.0	1.5
135 - 801	800:5*	C50	0.3	0.3	0.3	0.3	0.6	0.362	2.0	1.5
135 - 102	1000:5*	C100	0.3	0.3	0.3	0.3	0.3	0.452	1.5	1.33
135 - 122	1200:5*	C100	0.3	0.3	0.3	0.3	0.3	0.543	1.5	1.33
135 - 152	1500:5*	C100	0.3	0.3	0.3	0.3	0.3	0.678	1.5	1.0
135 - 162	1600:5*	C100	0.3	0.3	0.3	0.3	0.3	0.694	1.5	1.0
135 - 202	2000:5*	C100	0.3	0.3	0.3	0.3	0.3	0.867	1.33	1.0
135 - 252	2500:5*	C200	0.3	0.3	0.3	0.3	0.3	1.084	1.0	0.8
135 - 302	3000:5*	C200	0.3	0.3	0.3	0.3	0.3	1.301	1.0	0.8
135 - 322	3200:5*	C200	0.3	0.3	0.3	0.3	0.3	1.279	1.0	0.8
135 - 352	3500:5*	C200	0.3	0.3	0.3	0.3	0.3	1.399	1.0	0.8
135 - 402	4000:5*	C200	0.3	0.3	0.3	0.3	0.3	1.598	1.0	0.6
135 - 502	5000:5*	C200	0.3	0.3	0.3	0.3	0.3	2.459	1.0	0.6